



# Steel Hinged Doors

Non fire rated and fire rated doors according to British (BS) and American (UL) Standard

NFR	BS 60	BS 90	BS 120	BS 180	BS 240	dB
UL 45	UL 60	UL 90	UL 120	UL 180		

**HÖRMANN**





4	HMEA steel door plant
6	Architects' program
8	Good reasons for Hörmann
13	Fire protection
14	Project references
16	Door elements
18	Door leaf infill, vision panel and louver
20	Decor surfaces
26	Door leaf data sheet for Non Fire Rated doors (NFR)
28	Door leaf data sheet for BS doors
30	Door leaf data sheet for UL doors
33	Door frame standard design
34	Acoustic doors
36	Handing of doors
39	Hörmann product range

The colours and surface finishes shown are subject to the limitations of the printing process and cannot be regarded as binding.

All rights reserved. No part may be reproduced without our prior permission. Subject to changes.

# Hörmann Middle East & Africa Steel Door Plant



Established in November 2018, the Hörmann steel door factory brings German manufacturing standards to the Middle East by using the same machines and materials as Hörmann factories in Germany. Customers can be ensured that the locally manufactured products will be of quality equal to all other Hörmann solutions.



### **In-house product development**

Highly-qualified technicians are constantly working on further developing and improving our products in order to meet the demands of the market. This results in economic high-speed door designs of the highest standard.



### **Precise production**

Innovative production processes that have been matched perfectly with each other are a guarantee for steadily increasing product quality.



### **Competent advice**

Experienced specialists within our customer-oriented sales organisation support you from the planning stage, through technical clarification up to the final building inspection. Complete working documentation is not only available in printed form but is always accessible and up-to-date at [www.hormann.ae](http://www.hormann.ae)

# Hörmann's Architects' Program

More than 9000 drawings for over 850 products





## The Architects' Program

Planning with Hörmann products is now even easier thanks to a modern, user-friendly interface. Clearly structured navigation via drop-down menus and symbols, as well as a search function, provide faster access to texts for invitation to tenders and drawings (in DWG and PDF format) of over 850 Hörmann products. **In addition, BIM data can be provided for many products for the Building Information Modelling process, enabling efficient planning, drafting, construction and management of buildings.** Photos and photo-realistic presentations provide additional information on many products.



The Architects' Program is available to you as a web version at [www.hormann.ae/forums/architects-forum/architectsprogram](http://www.hormann.ae/forums/architects-forum/architectsprogram) or can be downloaded free-of-charge from the Hörmann Architects' Forum.



PRODUCTS  
FOR BIM

We are a member of the professional association for digital building products in the Federal Association of Building Systems e.V.

# Good Reasons To Try Hörmann







## **Why choose Hörmann HD steel doors?**

From sturdy internal steel doors and secure apartment entrance doors through to external doors with thermal insulation, Hörmann offers a large programme with diverse colour and equipment variants.

Hörmann HD steel doors convince with their permanently flush surface. Their advantage: Unevenness in the door leaf is virtually eliminated.

The robust block frame is ideal for various wall systems: brickwork, gas concrete, concrete and partition wall. Alternatively, the frame can be fitted with an architrave on one side or both sides which provides great finish to suit your architectural needs.

For high-quality door appearances, we deliver all door leaves and frames galvanized with high-quality powder coating. For highly corrosive areas, the doors can also be painted with a special marine coating.

The mineral wool infill combined with Hörmann's high quality seals are ideal combinations for external doors as well as areas with acoustic sealing requirements.

On the other hand, Hörmann's light weight honeycomb infill is preferred for internal doors in combination with thinner steel sheets.

# Good Reasons To Try Hörmann

## Matching system appearance for all functions

# 1

### Groove frame with kerf seal as standard

The integrated kerf seal serves many purposes in the daily use, such as effectively working as a door silencer, eliminating the need to install silencers on other parts of the door. Additionally, the seal also ensures smooth closing of the door, thus greatly reducing wear and tear during day-to-day operation, which prolongs the door set's lifespan. The integrated seal also reduces the amount of dust and sand that can find its way through a closed door.



# 2

### Harmonic glazing frames

All square vision panels for Hörmann HD steel doors are clipped into the glazing frame as standard. Thus there are no visible screw heads on the leaf. This, in addition to the glazing frame that can be powder coated in the colour of the door leaf, ensures a harmonic design without any visual intrusions for the entire door leaf.



# 3

### Strong reinforcements

The reinforcements inside Hörmann HD doors and frames are made up to 5 mm steel sheets. This makes them more durable compared to the market standard reinforcements that are being produced with 0.8 mm steel sheets.

In Hörmann steel doors, box reinforcements are being used for the door closers, panic bars and locks. These box-shaped reinforcements protect important hardware parts more efficiently compared to screw fixation on a flat steel plate, which will eventually get loose after a certain amount of door cycles.

The thicker steel sheets for the reinforcements in combination with their box design can prolong the lifespan of the door drastically.



# Good Reasons To Try Hörmann

## Matching system appearance for all functions

# 4

## Full compliance with Warringtonfire and UL Certification

According to the Warringtonfire requirements, the traceability of each individual door has to be ensured by records of their respective sticker number. Hörmann guarantees record keeping in compliance with these requirements to ensure that every single fire-rated door is labelled correctly and accounted for.



### UL Certificates (American Standard)



### Warrington Certificates (British Standard)



# Certification Management systems

# 5

## Quality Management Systems



# 6

## Guild of Architectural ironmongers



# Hörmann Fire Protection

Because it's good to be on the safe side



## Fire doors are designed to protect property and life in the event of a fire.

For this, the door must serve as a fire barrier.

Fire doors must serve three main functions

- serve as a regular door at all times
- provide ready egress from a fire area during a fire
- inhibit spreading of fire

When an opening requires strength, durability or maximum fire resistance, steel doors and frames provide the qualities to meet these needs. Due to growing access control needs, fire doors have today evolved to accommodate the growing electric functions a door must support.

Designed to meet the life-safety requirements in various types of buildings and structures, Hörmann fire doors help compartmentalise and contain the spread of fire. Hörmann steel doors complement existing passive fire-fighting systems.

Our Hörmann fire rated doors also meet all the stipulated international, national and regional fire safety standards and are available with a honeycomb core or steel stiffened mineral wool infill. Both options allow the doors to withstand a fire for 45, 60, 90, 120, 180 and 240 minutes. All fire doors are factory finished with a powder coated finish paint.

## Applications

Hörmann steel doors can be used in high-rise buildings, hotels, hospitals, metro railway stations, telecom centers, power plants, cellular network stations, garment processing units, shopping malls, industrial plants, multiplexes, auditoriums, software parks, restaurants, etc.

Hörmann doors and frames are designed to perform in the most demanding environment.

## Features

- Available in galvanized or stainless steel
- UL labeled doors for 45, 60, 90, 120, 180 minutes
- BS labeled doors for 60, 90, 120, 180, 240 minutes
- Vision panels for up to 180 minutes fire rating for UL doors
- Vision panels for up to 240 minutes fire rating for BS doors
- No welding joints and sharp edges, interlocking at the stiles
- Factory prepared to receive all types of hardware
- High aesthetics and robust structure
- Fully flush constructions
- Easy to install on a flush wall opening and dry wall partitions
- Factory finished powder coating

# Reference Projects

## RIU Hotel, Dubai



### Hörmann products

- HD NFR
- HD UL 60
- HD UL 120



Bright Start HQ, Dubai



- Hörmann products**
- HD BS 60
  - HD BS 120
  - HD UL 60
  - HD UL 120
  - HBS 90 C-2
  - Industrial Sectional Door ALR F42 Vitraplan

# Hörmann HD Door Elements

## General specifications

### Infill options

#### **Honeycomb core**

Reinforced and filled completely with honeycomb kraft paper core on the inner side and laminated on the inside.

#### **Steel stiffeners with mineral wool**

Filled with mineral wool core and laminated on the inside.  
Stiffened with steel stiffeners and sound deadened by the infill material.

### Coating

#### **Powder coated in standard colours (matt finish):**

RAL 3000 Flame red, RAL 7016 Anthracite grey, RAL 9002 Grey white, RAL 9005 Jet black, RAL 9006 White aluminium, RAL 9010 Pure white, RAL 9016 Traffic white, HD 703 Metallic anthracite grey

#### **Special colours:**

Special RAL colours as well as timber decor finishing options are available.

Cover caps are available in standard colours: RAL 3000, RAL 7016, RAL 9002, RAL 9006, RAL 9016.

Optionally the frame cover caps can be coated in special RAL colours.

### Construction and fire rating standards

#### **American Standard:**

NFPA 80-1999, NFPA 252-1995, UL 10B, UL 10C, UBC 7-2 and IBC 2000

Fire rated for 45; 60; 90; 120 and 180 minutes

#### **British Standard:**

BS 476, Parts 20 & 22 Building Regulations 2000-Fire Safety Part B  
Fire rated for 60; 90; 120; 180 and 240 minutes (latched / unlatched).





# Hörmann HD Door Leaves

## Infill

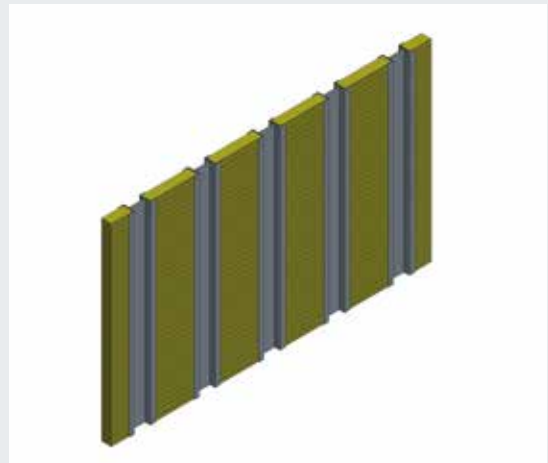
### Honeycomb Core

With its unique properties, the honeycomb core enhances the structural integrity of the doors with minimal additional weight. The final finish of the door is predominantly dependent on the quality of the honeycomb used and the glue which is used to get the flat surface. This infill material allows the doors to be highly resistant to impacts as honeycomb has a strong resilience to pressure. The quality and consistent flat surface achieved thanks to the infill material is exceptional and adds to the design and strength of the door.



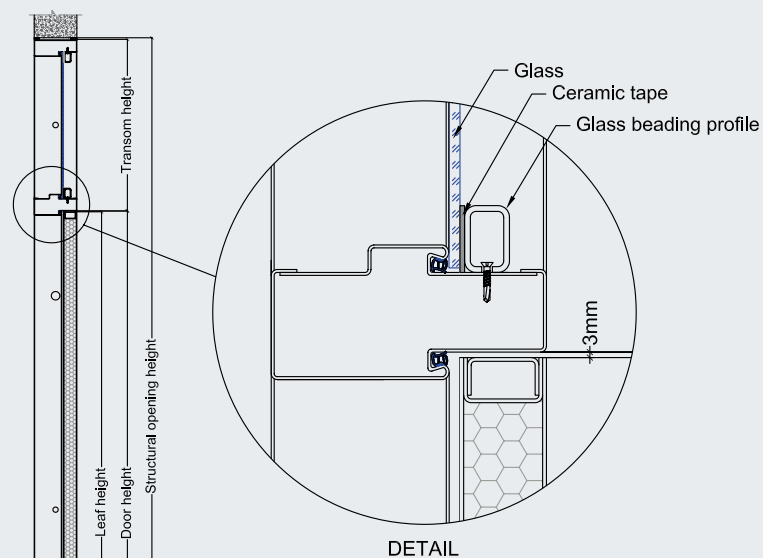
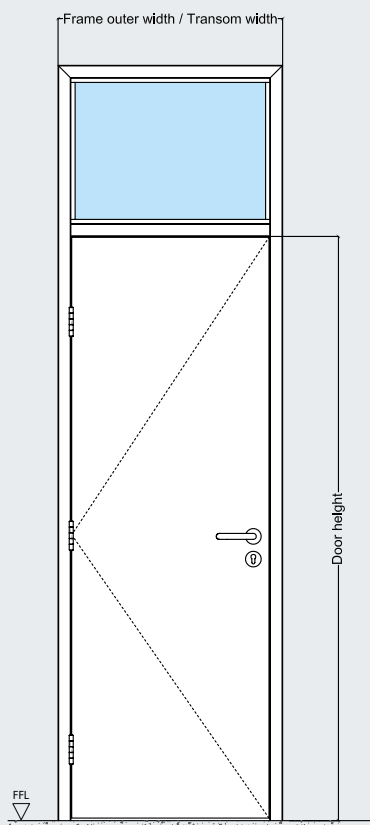
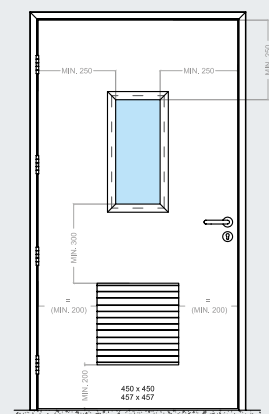
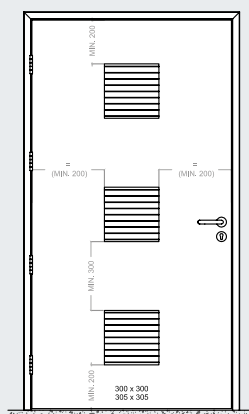
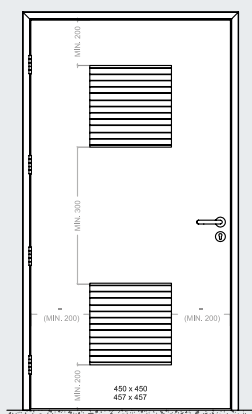
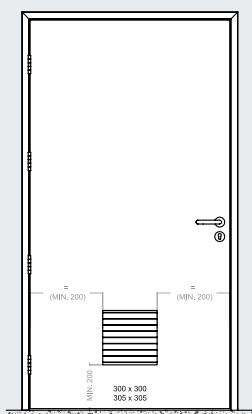
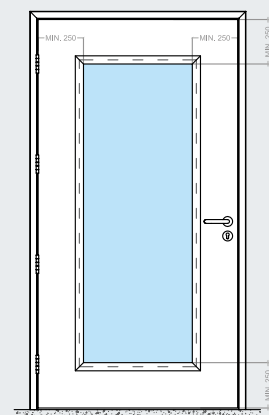
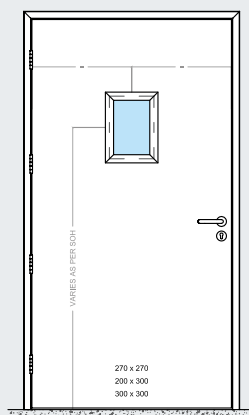
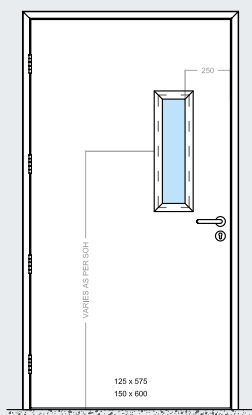
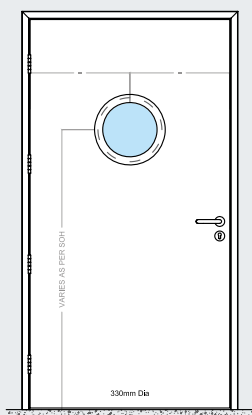
### Steel Stiffeners with Mineral Wool

Often used especially for exterior applications, these doors are known for their rigidity and are available in varying strength and quality. Nevertheless, this infill type is also suitable for interior doors, which require any thermal or acoustic insulation. Due to the high density of the mineral wool of up to 100 kg/m<sup>2</sup>, an U-value of 1.6 W/(m<sup>2</sup>·K) and a STC rating of up to 45 dB can be reached.



# Hörmann HD Door Leaves

## Vision panels, louvers and transom lights



### Notes:

The standard glazing sizes are available on stock for British Standard and non-fire rated doors. Special sizes and UL glazing are on request.

Louvers are on request.

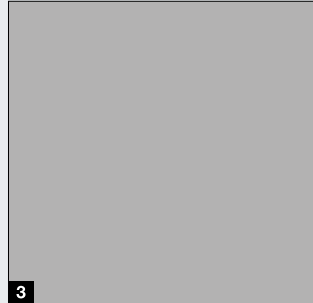
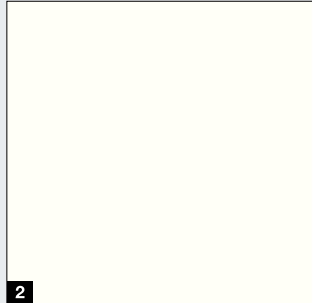
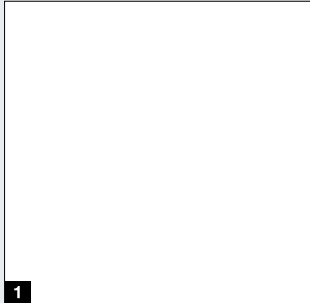
The transom panels are only available for non-fire rated doors

# Hörmann HD Door Leaves

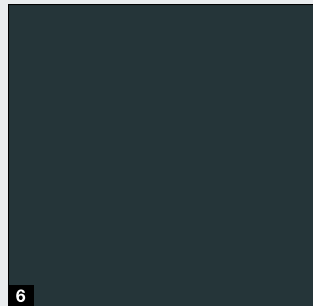
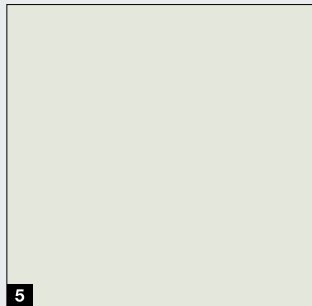
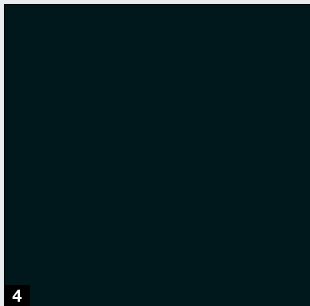
## Surface finishes



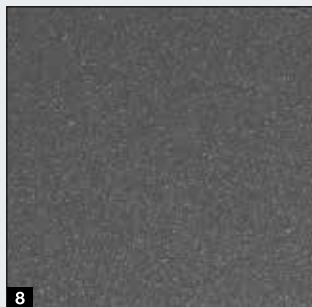
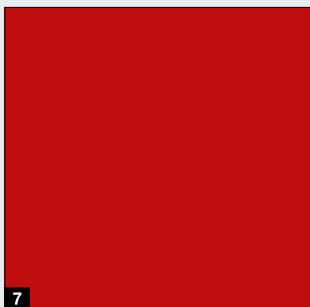
## Standard colours:



- 1** RAL 9016 Traffic white
- 2** RAL 9010 Pure white
- 3** RAL 9006 White aluminum
- 4** RAL 9005 Jet black
- 5** RAL 9002 Grey white
- 6** RAL 7016 Anthracite grey
- 7** RAL 3000 Flame red
- 8** HD 703 Metallic anthracite grey



**RAL to choose**  
Smooth surface rich,  
vibrant colour on  
request in RAL to  
choose



## Timber design finishes:

The door leaves and frames are available with timber design finishes.



### Please note:

The colours and timber designs shown are subject to the limitations of the printing process and cannot be regarded as binding.









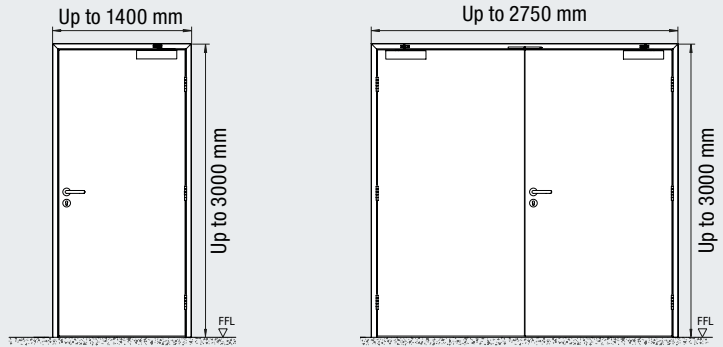


# Non Fire Rated Door HD NFR

Single and double leaf doors made of galvanized steel  
with honeycomb core infill



NFR



## Non fire rated door

**Door leaf**  
**Sheet thickness**

## HD NFR H-1

47 mm  
1.0 mm  
1.2 mm  
1.6 mm

## HD NFR H-2

47 mm  
1.0 mm  
1.2 mm  
1.6 mm

**Rebate type**

Flush

Thin rebate for integrated astragal profile

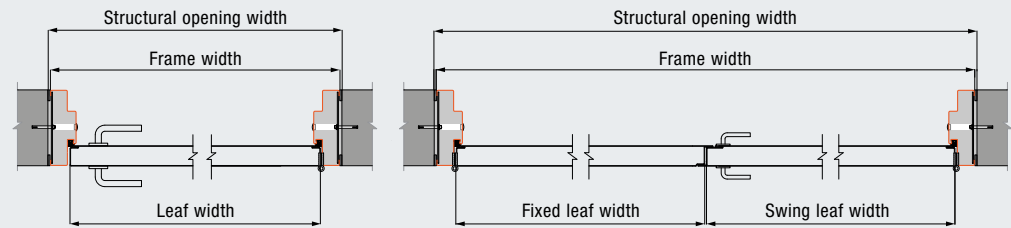
**Door frame**

**Sheet thickness**

1.2 mm  
1.6 mm  
2.0 mm

1.2 mm  
1.6 mm  
2.0 mm

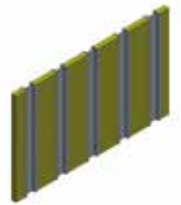
## Standard frame openings



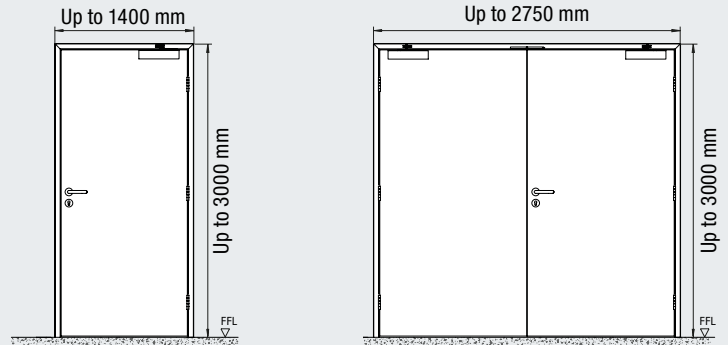
Infill	Door leaf type	Structural opening size for NFR			
		Min. width	Min. height	Max. width	Max. height
Honeycomb	Single leaf	600 (with door closer)	650	1400	3000
		400 (without door closer)			
Honeycomb	Double leaf	1200 (with door closer)	650	2750	3000
		700 (without door closer)			

# Non Fire Rated Door HD NFR

Single and double leaf doors made of galvanized steel with steel stiffeners and mineral wool infill

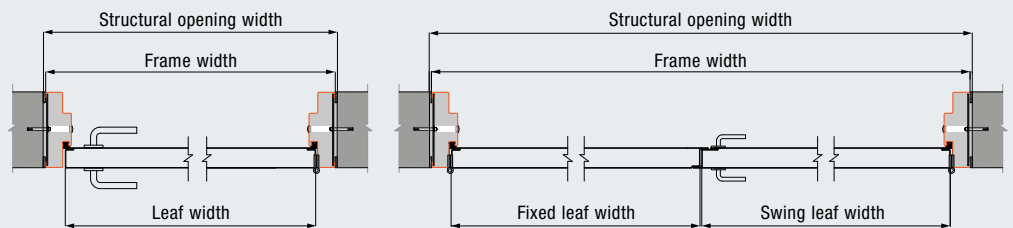


NFR  
dB



Non fire rated door	HD NFR M-1	HD NFR M-2
<b>Door leaf</b>	47 mm	47 mm
<b>Sheet thickness</b>	1.0 mm 1.2 mm 1.6 mm	1.0 mm 1.2 mm 1.6 mm
<b>Rebate type</b>	Flush	Thin rebate for integrated astragal profile
<b>Door frame</b>		
<b>Sheet thickness</b>	1.2 mm 1.6 mm 2.0 mm	1.2 mm 1.6 mm 2.0 mm

## Standard frame openings



Infill	Door leaf type	Structural opening size for NFR			
		Min. width	Min. height	Max. width	Max. height
Steel stiffeners with mineral wool	Single leaf	600 (with door closer)	650	1400	3000
		400 (without door closer)			
Steel stiffeners with mineral wool	Double leaf	1200 (with door closer)	650	2750	3000
		700 (without door closer)			

# Fire Rated Door HD BS

Single and double leaf doors made of galvanized steel  
with honeycomb core infill



## Main function

Fire-rating

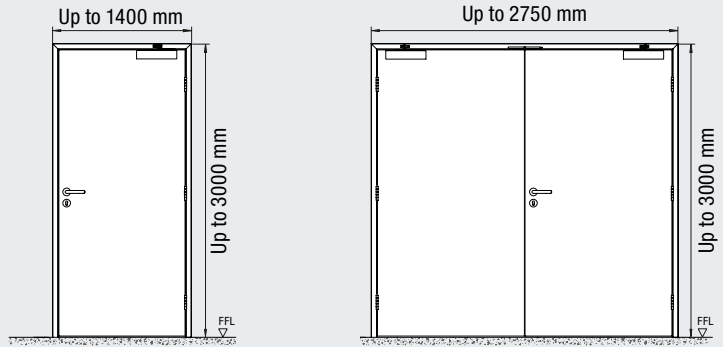
BS 60

BS 90

BS 120

BS 180

BS 240



### Fire rated door

Door leaf

Sheet thickness

Rebate type

Door frame

Sheet thickness

### HD BS H-1

47 mm

1.0 mm  
1.2 mm  
1.6 mm

Flush

1.6 mm  
2.0 mm

### HD BS H-2

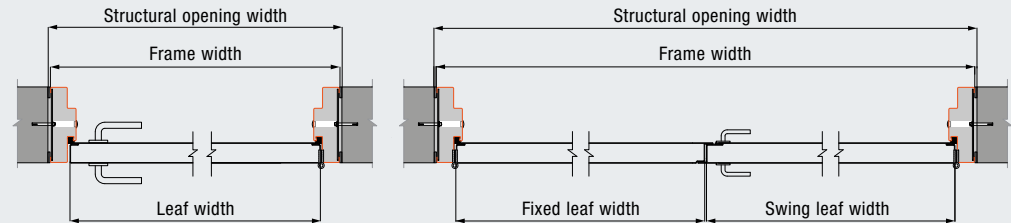
47 mm

1.0 mm  
1.2 mm  
1.6 mm

Thin rebate for integrated astragal profile

1.6 mm  
2.0 mm

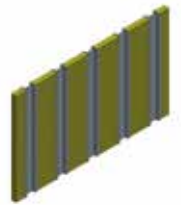
### Standard frame openings



Infill	Door leaf type	Fire rating (in minutes)	Structural opening size for BS					
			Latched / Unlatched		Unlatched		Latched	
			Min. width	Min. height	Max. width	Max. height	Max. width	Max. height
Honeycomb	Single leaf	60 / 90 / 120	600 (with door closer)	650	1400	3000	1400	3000
		180			1400	2985		
		240			1350	2400		
Honeycomb	Double leaf	60 / 90 / 120	1200 (with door closer)	650	2670	3000	2670	3000
					2750	2915	2750	2915
		180	700 (without door closer)		2590	2985	2590	2985
					2750	2815	2750	2815
240		2500	2400	2500	2400			

# Fire Rated Door HD BS

Single and double leaf doors made of galvanized steel  
with steel stiffeners and mineral wool infill



## Main function

### Fire-rating

BS 60

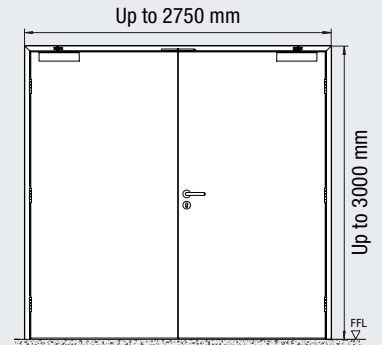
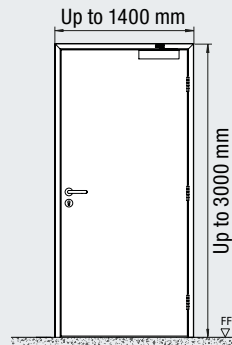
BS 90

BS 120

BS 180

BS 240

dB



### Fire rated door

#### Door leaf

#### Sheet thickness

#### Rebate type

#### Door frame

#### Sheet thickness

### HD BS M-1

47 mm

1.0 mm  
1.2 mm  
1.6 mm

Flush

1.6 mm  
2.0 mm

### HD BS M-2

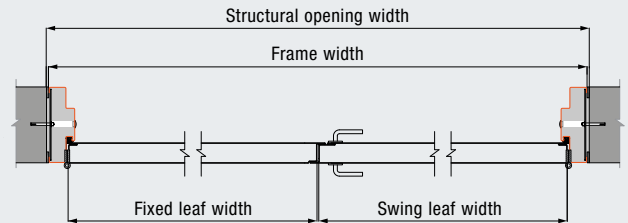
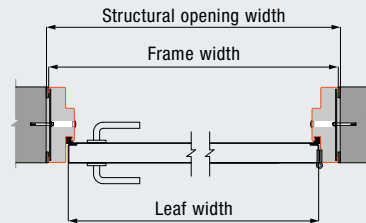
47 mm

1.0 mm  
1.2 mm  
1.6 mm

Thin rebate for integrated astragal profile

1.6 mm  
2.0 mm

### Standard frame openings



Infill	Door leaf type	Fire rating (in minutes)	Structural opening size for BS							
			Latched / Unlatched		Unlatched		Latched			
			Min. width	Min. height	Max. width	Max. height	Max. width	Max. height		
Steel stiffeners with mineral wool	Single leaf	60 / 90 / 120	600 (with door closer) 400 (without door closer)	650	1400	3000	1400	3000		
		180			1400	2985				
		240			1350	2400	1356	2953		
Steel stiffeners with mineral wool	Double leaf	60 / 90 / 120	1200 (with door closer) 700 (without door closer)	650	2670	3000	2750	3000		
		180			2750	2915			2590	2985
		240			2750	2815	2750	2815		
					2500	2400	2500	2400		

# Fire Rated Door HD UL

Single and double leaf doors made of galvanized steel  
with honeycomb core infill



## Main function

### Fire-rating

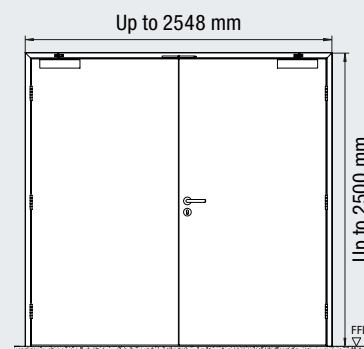
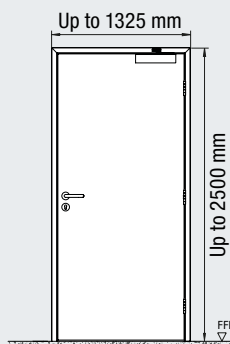
UL 45

UL 60

UL 90

UL 120

UL 180



### Fire rated door

### HD UL H-1

### HD UL H-1

#### Door leaf

47 mm

47 mm

#### Sheet thickness

1.2 mm  
1.6 mm

1.2 mm  
1.6 mm

#### Rebate type

Flush

Thin rebate for integrated astragal profile

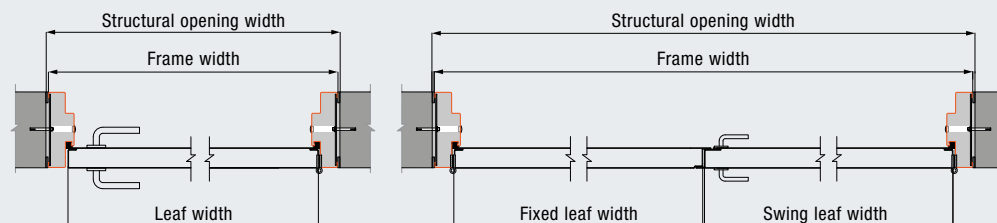
#### Door frame

##### Sheet thickness

1.6 mm  
2.0 mm

1.6 mm  
2.0 mm

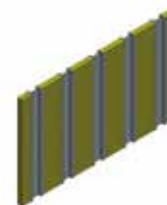
### Standard frame openings



Infill	Door leaf type	Fire rating (in mins)	Structural opening size for UL			
			Min. width	Min. height	Max. width	Max. height
Honeycomb	Single leaf	45 / 60 / 90 / 120 / 180	600	650	1325	2500
Honeycomb	Double leaf	45 / 60 / 90 / 120 / 180	1200	650	2548	2500

# Fire Rated Door HD UL

Single and double leaf doors made of galvanized steel  
with steel stiffeners and mineral wool infill



## Main function

Fire-rating

UL 45

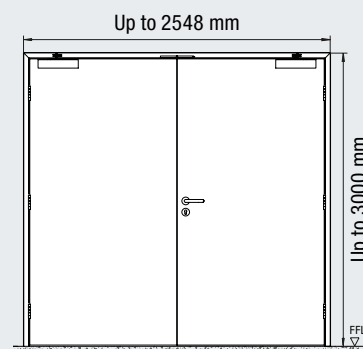
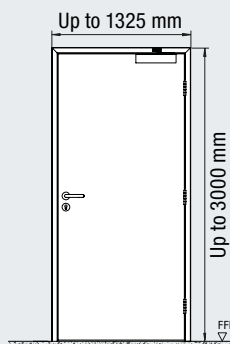
UL 60

UL 90

UL 120

UL 180

dB



### Fire rated door

Door leaf

Sheet thickness

Rebate type

Door frame

Sheet thickness

### HD UL M-1

47 mm

1.2 mm  
1.6 mm

Flush

1.6 mm  
2.0 mm

### HD UL M-2

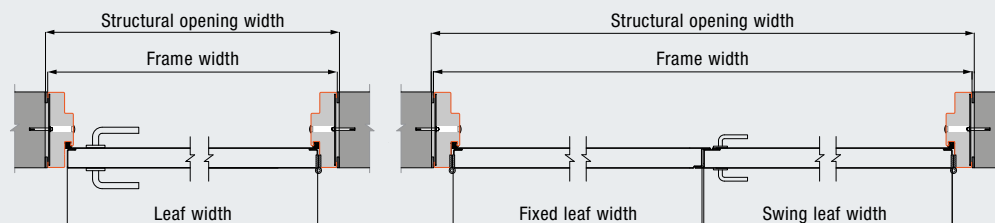
47 mm

1.2 mm  
1.6 mm

Thin rebate for integrated astragal profile

1.6 mm  
2.0 mm

### Standard frame openings



Infill	Door leaf type	Fire rating (in mins)	Structural opening size for UL			
			Min. width	Min. height	Max. width	Max. height
Steel stiffeners with mineral wool	Single leaf	45 / 60 / 90 / 120 / 180	600	650	1325	3000
Steel stiffeners with mineral wool	Double leaf	45 / 60 / 90 / 120 / 180	1200	650	2548	3000





# Door Frame

## Standard design



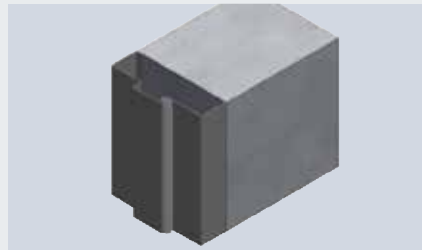
### Frames

Available with a butted joint assembly as standard, our frames are supplied in knock down form for easy assembly at site.

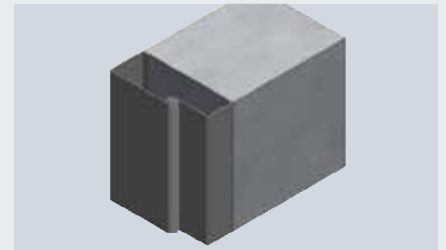
Mitered knock down frames as well as face welded frames are available as additional options.

### Features

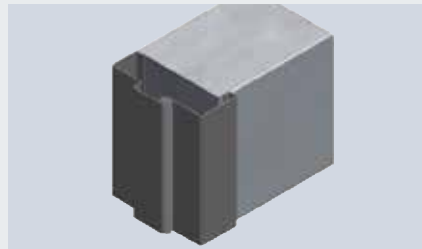
- Made of galvanized steel
- Frames available in single and double rebate, with and without architrave
- All frames are prepared for receiving hardware and kerf seals in frame groove
- Available sheet thicknesses: 1.2 mm, 1.6 mm and 2.0 mm
- Frames can be supplied filled with mineral wool infill for easy and clean installation on site
- 4 sided frame optionally



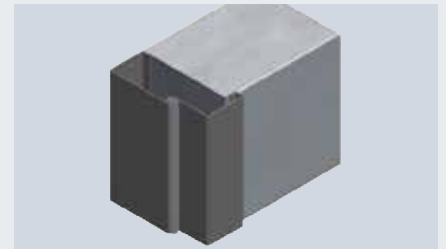
Double rebated block frame



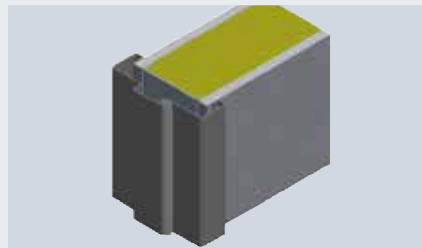
Single rebated block frame



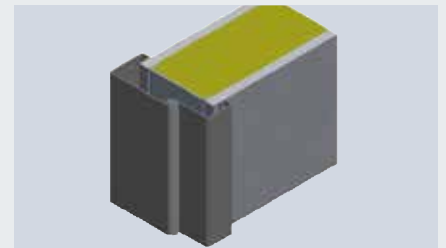
Double rebated frame with one sided architrave hinge side



Single rebated frame with one sided architrave hinge side



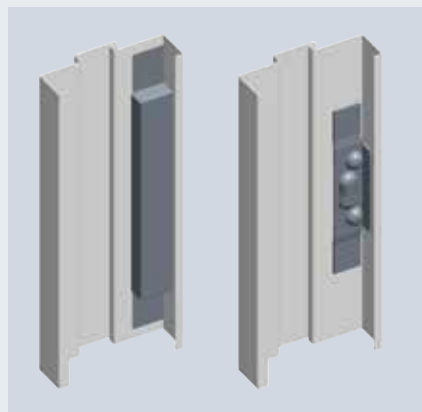
Double rebated frame with two sided architrave



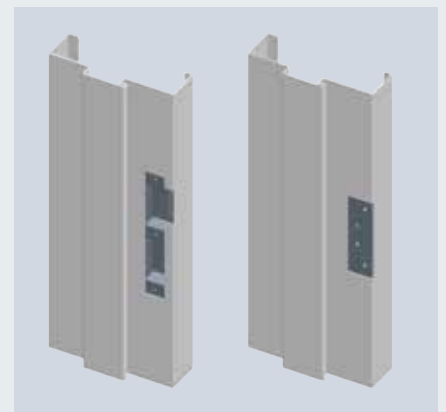
Single rebated frame with two sided architrave

### Hardware preparation

The reinforcements inside Hörmann HD frames are made of up to 5.0 mm steel sheets.



Hinge-mortar guard



Strike jamb

Hinge jamb

### Joint details

Butted and mitered joint frames are supplied in knock down form



Standard:  
butted joint frame

Optional:  
mitered joint frame

Optional:  
face welded joint frame

# Acoustic Doors

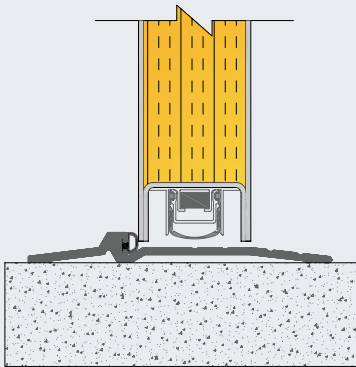
## Acoustic sealing requirements

dB



Noise not only affects the concentration but can also cause stress and permanent illness. This is why it is important to insulate noise as much as possible in the area in which it occurs. With acoustic values up to 45 dB, Hörmann acoustic-rated doors considerably contribute to this.

		Kerf seal in jamb and head	Drop seal or threshold	Half batwing seal to meeting stile	Perimeter seal in jamb and head	Astragal seal to meeting stile
Single leaf door	STC rating 29 dB	●				
	STC rating 42 dB	●	●			
	STC rating 45 dB	●	●		●	
Double leaf door with integrated astragal	STC rating 29 dB	●				
	STC rating 41 dB	●	●	●		
	STC rating 42 dB	●	●	●	●	
Double leaf door without integrated astragal (NFR)	STC rating 45 dB	●	●	●	●	●



**STADI L24-20 drop seal  
with AT12713S threshold**

**Please note:**

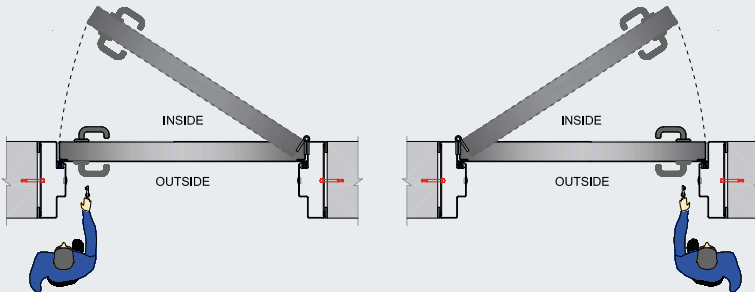
All acoustic doors should be offered with steel stiffeners and mineral wool infill.  
All frames for acoustic doors need to be filled with grout or mineral wool infill.

# Steel Doors

## Handing

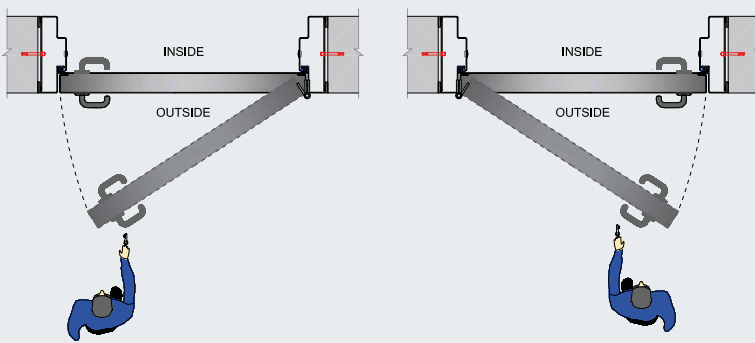


## Single leaf door



RIGHT HAND (RH)

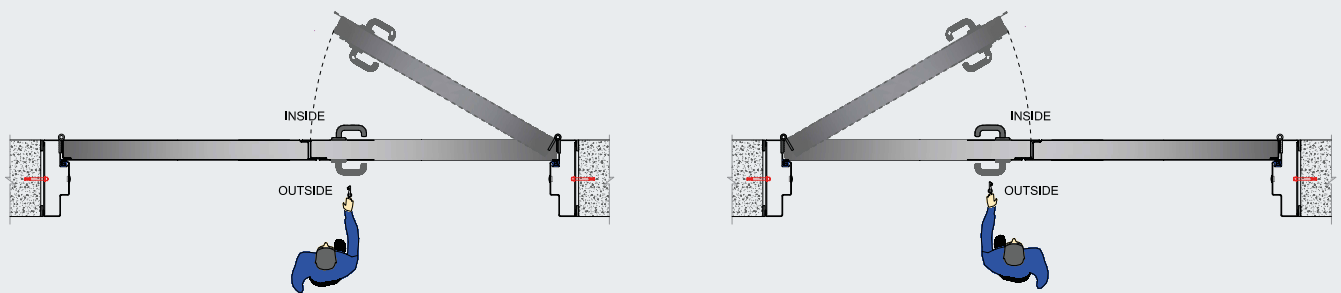
LEFT HAND (LH)



RIGHT HAND REVERSE (RHR)

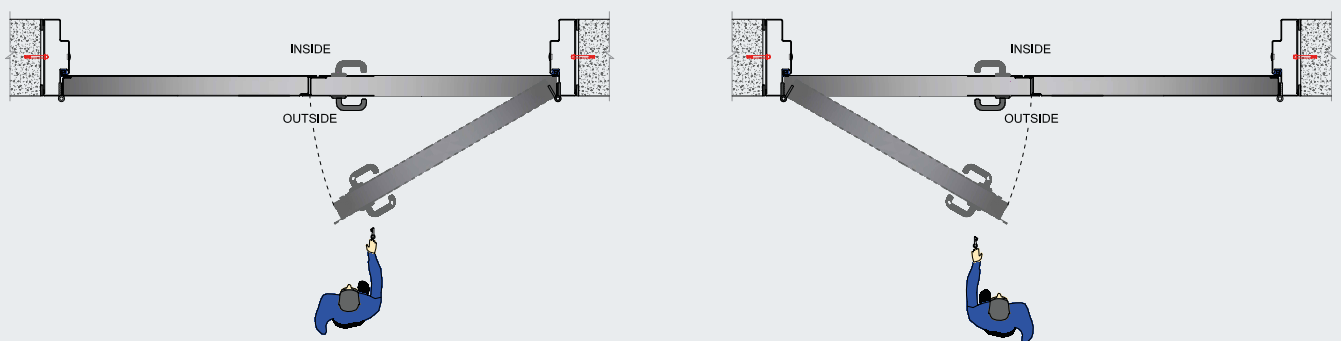
LEFT HAND REVERSE (LHR)

## Double leaf door



RIGHT HAND ACTIVE (RHA)

LEFT HAND ACTIVE (LHA)



RIGHT HAND REVERSE ACTIVE (RHRA)

LEFT HAND REVERSE ACTIVE (LHRA)

අනිවාර්යයෙන්ම - දොරවල්  
Fire Exit - Keep the Door Closed

# Hörmann Product Range

Everything from a single source  
for your construction project



**Quick service with testing, maintenance and repairs**  
Our extensive service network means that we are always nearby and at your service around the clock.



**1** Sectional doors



**2** Rolling shutters and rolling grilles



**3** Shop doors



**4** High-speed doors



**5** High-speed folding doors



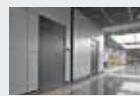
**6** Loading technology



**7** Steel and stainless steel sliding doors



**8** Fire protection curtains



**9** Steel and stainless steel construction project doors



**10** Steel frames with high-quality timber function doors from Schörghuber



**11** Tubular frame construction project doors



**12** Automatic sliding doors



**13** Visibility window



**14** Collective garage doors



**15** Bollards and road blockers



**16** Barrier and pay station systems

# Hörmann: Quality without Compromise



Hörmann KG Amshausen, Germany



Hörmann KG Antriebstechnik, Germany



Hörmann KG Brandis, Germany



Hörmann KG Brockhagen, Germany



Hörmann KG Dissen, Germany



Hörmann KG Eckelhausen, Germany



Hörmann KG Freisen, Germany



Hörmann KG Ichttershausen, Germany



Hörmann KG Werne, Germany



Hörmann Alkmaar B.V., Netherlands



Hörmann Legnica Sp. z o.o., Poland



Hörmann Beijing, China



Hörmann Tianjin, China



Hörmann LLC, Montgomery IL, USA



Hörmann Flexon LLC, Burgettstown PA, USA



Shakti Hörmann Ltd., India



Hörmann Middle East & Africa FZE, Dubai, UAE

**GARAGE DOORS**  
**OPERATORS**  
**INDUSTRIAL DOORS**  
**LOADING EQUIPMENT**  
**HINGED DOORS**  
**DOOR FRAMES**

## **Hörmann Middle East and Africa FZE** Doors for Home and Industry

Phone +971 4 805 3600  
Fax +971 4 880 7699  
E-Mail [info.dxb@hormann.com](mailto:info.dxb@hormann.com)  
Website [www.hormann.ae](http://www.hormann.ae)

Street N406, Plot MO 0203, P. O. Box 262784  
Dubai, Jebel Ali Free Zone North  
United Arab Emirates

