



# Steel and stainless steel construction project doors STS / STU

High-quality door construction for demanding architecture





OFFICES  
LOFTS

OFFICES  
LOFTS  
LIFT →



- 4 Hörmann brand quality
- 6 Hörmann construction project door programme
- 8 Sustainably produced
- 9 Hörmann Architects' Program
- 10 Good reasons to try Hörmann
- 14 Steel and stainless steel construction project doors STS/STU
- 16 Surface finishes and colours
- 17 DryTec frame system
- 18 Steel and stainless steel frame types
- 20 DryTec frames for solid walls
- 24 DryTec frames for dry construction walls
- 28 The right solutions for your requirements
- 29 Overview of door functions
- 30 T30/El<sub>2</sub>30 steel fire-rated door STS 30/STU 30
- 32 T30/El<sub>2</sub>30 stainless steel fire-rated door STS 30/STU 30
- 34 T90/El<sub>2</sub>90 steel fire-rated door STS 90/STU 90
- 35 T90/El<sub>2</sub>90 stainless steel fire-rated door STS 90/STU 90
- 36 Escape route sliding door system combination with steel/stainless steel fire-rated doors ASTS/FR
- 38 Steel smoke-tight door STS/STU
- 39 Stainless steel smoke-tight door STS/STU
- 40 RC 2/RC 3 steel security door STU
- 41 RC 2/RC 3 stainless steel security door STU
- 42 Steel multi-purpose door STS/STU
- 44 Stainless steel multi-purpose door STS/STU
- 45 Stainless steel technical room door Aqua STS/STU
- 46 Steel/stainless steel double-action door SPT MZ
- 48 Steel multi-purpose door STU for outdoor use
- 50 Glazings
- 52 Fixed top parts and ventilation grilles
- 53 Inspection hatches
- 54 Hörmann door operator HDO 200
- 56 Overhead door closers
- 58 Lever handle sets
- 59 Sports hall recessed handle/anti-panic locks/door stops
- 60 Hold-open device control
- 61 Clear passage width block frames STS doors
- 62 Clear passage width block frames STU doors
- 64 Clear passage width corner and profile frames STS doors
- 65 Clear passage width corner and profile frames STU doors
- 66 Clear passage widths ASTS/FR
- 67 Hörmann product range

The colours and surface finishes shown are subject to the limitations of the printing process and cannot be regarded as binding.

All rights reserved. No part may be reproduced without our prior permission. Subject to changes.

Image on left:  
DC Tower in Vienna, with Hörmann products

# Hörmann brand quality

Top safety and reliability



ESO headquarters in Garching near Munich, with Hörmann products



## In-house product development

Growing and constantly changing functional and safety requirements necessitate continuous new construction and equipment developments and improvements, especially when it comes to moveable construction components such as doors. In this area, our qualified development teams prove their highly specialised expertise time and again.



## Highly sophisticated production methods

Hörmann relies on state-of-the-art production technology at highly specialised factories. Computer-controlled operations ensure dimensionally accurate elements with perfectly fitted fittings and functional parts.



## Matching system appearance



### Secure solutions with international approval

Hörmann provides you with all the doors you need from a single source. With a matching appearance and precisely the functions you require for your project – fire protection in fire safety classes T30 / EI<sub>2</sub>30, T90 / EI<sub>2</sub>90, as well as smoke protection, acoustic insulation and burglar protection in resistance classes RC 2 and RC 3. Hörmann fire protection solutions are not only approved in Germany, but also internationally. Several designs correspond to the “British Standard” and are thus approved for use in large parts of the Commonwealth. Hörmann has also received approvals for France, Italy, Austria, Switzerland, Russia, Poland, Hungary, and Slovenia. We also have approvals for China, where Hörmann manufactures fire-rated doors for the local market.

Established sales organisations are available within the corresponding countries for planning and implementation. Please contact us for more information.



### Fire testing at our own fire test chamber

Our new and further developments are constantly tested for the required fire resistance and smoke-tightness through in-house fire tests at our fire testing centre. The knowledge gained from these tests ensures high fire protection for buildings. They also allow us to optimally prepare our innovations for the official inspections by accredited testing centres for official approvals.



### Expert building support

Experienced specialists within our customer-oriented sales organisation accompany you from the planning stage, through technical clarification up to the final building inspection.

Expert fitting is guaranteed by experienced Hörmann fitters and the specialised trained staff of Hörmann’s partners.

# Hörmann construction project door programme

The right solution for any requirement





## Steel doors

From sturdy steel internal doors and secure apartment entrance doors through to external doors with thermal break, Hörmann offers a large programme with diverse colour and equipment variants.



## Steel construction project doors

They are characterised by their matching appearance. The advantage for architects and building owners: doors that fulfil different functional requirements and are fitted on the same floor are perfectly matched to one another.



## Fully glazed tubular frame parts and automatic sliding doors

Hörmann's aluminium and steel fire-rated and smoke-tight doors and glazings in the T30, T60 and T90 models will convince you with certified safety, perfect function and a 100 % matching appearance. With Hörmann automatic sliding doors, you are combining the transparency of tubular frame parts with the requirements of fire protection or barrier-free construction. These products allow Hörmann to provide a uniform fire protection concept for use in architecturally demanding construction projects.



## Visibility windows

Hörmann visibility glazings are used as windows or room-high elements to provide more light and better visibility. Visibility glazing is available for requirements such as thermal and acoustic insulation or radiation protection, as well as in fire-retarding F30 and fire-proof F90 variants. Individual solutions can be implemented using rail divisions, recesses and chamfers.

Image on left:  
DC Tower in Vienna, with Hörmann products

# Sustainably produced

## For trend-setting construction



### Sustainability documented and approved by the ift in Rosenheim

Hörmann has received confirmation of sustainability through an environmental product declaration (EPD)\* in accordance with ISO 140425 from the Institut für Fenstertechnik (ift – Institute of window technology) in Rosenheim. The inspection was based on the Product Category Rules (PCR) Doors and Gates from ift Rosenheim GmbH, issue PCR-TT-0.1. Environmentally-friendly production was confirmed by a life-cycle analysis in accordance with DIN ISO 14040 / 14044 for all doors.

### Sustainably produced steel and stainless steel construction project doors from Hörmann

#### Environmentally friendly production

E.g. solvent-free powder coating at the factory, which can be fully finished on-site with a variety of limited-VOC paints or primers.

#### - Regional raw materials

The majority of applied raw materials is purchased from Germany and Central Europe.

#### - Durable, low maintenance products

Approved in a functional test

### Sustainable construction with Hörmann's expertise

Hörmann has been able to gain great expertise in sustainable construction through various projects. We also apply this know-how to support your projects.



# Architects' Program

More than 9000 drawings for over 850 products



## The Architects' Program

Planning with Hörmann products is now even easier thanks to a modern, user-friendly interface. Clearly structured navigation via drop-down menus and symbols, as well as a search function, provide faster access to texts for invitation to tenders and drawings (in DWG and PDF format) of over 850 Hörmann products. **In addition, we provide you with BIM data from many products for the Building Information Modelling Process for the efficient planning, design, construction, and management of buildings.**

Photos and photo-realistic presentations provide additional information on many products.



The Architects' Program is available to you as a web version at [www.hoermann.co.uk/forums/architects-forum/architects-program](http://www.hoermann.co.uk/forums/architects-forum/architects-program) or can be downloaded free-of-charge from the Hörmann Architects' Forum.

## Advantages at a glance

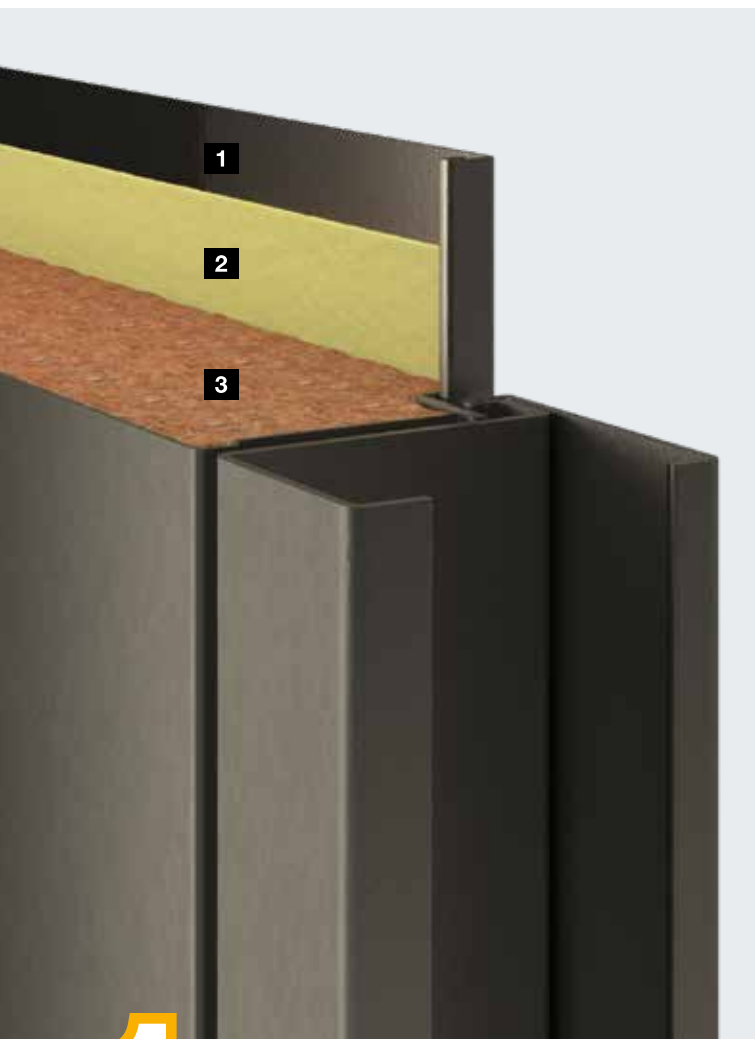
- Texts for invitation to tenders and drawings (DWG and PDF format) for over 850 Hörmann products
- Modern, user-friendly interface
- Clearly structured navigation with a search function
- Online and offline versions



We are a member of the professional association for digital building products in the Federal Association of Building Systems e.V.

# Good reasons to try Hörmann

High-quality door construction for demanding architecture



# 1

## Flush and fully bonded door construction

The **62 mm door leaf** in the STS / STU steel and stainless steel construction project doors come in a **flush version or thick rebate version**. A flush and fully bonded composite construction substantially increases leaf rigidity and the door closes with a rich sound.

### Door structure

- 1** Sheet steel or stainless steel
- 2** Fully bonded
- 3** Fire protection insert

# 2

## Elegant system appearance in all functions

Hörmann steel and stainless steel construction project doors are characterised by a matching door appearance in all functions and in all combinations with corner, block or profile frames. This provides your property with a **harmonious appearance with high-quality details** such as a flush-fitting door leaf transition in double-leaf doors or a flush-fitting transition to the top part. Thanks to a uniform door leaf thickness of 62 mm, you have a **uniform door construction for every function**. It also makes your planning for wall openings and passage widths extremely easy.



# 3

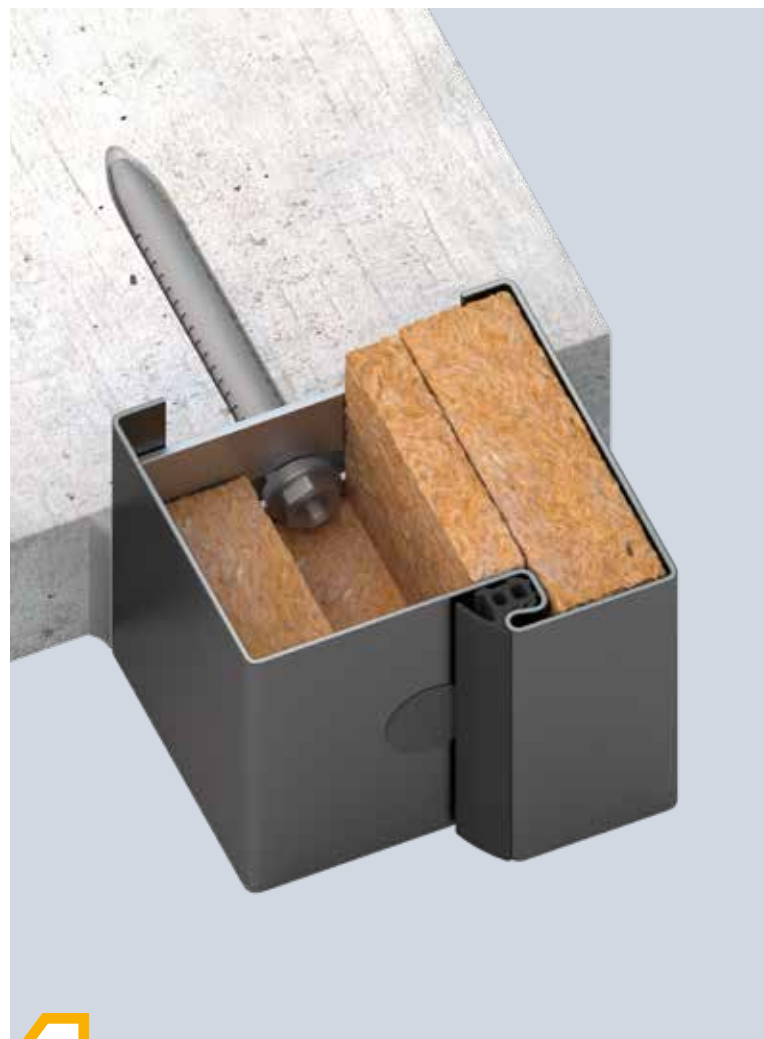
**High-quality surface finishes in various colours or stainless steel**

**Stainless steel version**

STS / STU construction project doors are also available as stainless steel doors in V2 A, 1.4301 with a 240 K grain size and optionally V2 A matt circular textured finish and V4 A, 1.4571 stainless steel versions for use in the food or pharmaceutical industry.

**Coating on request**

STS / STU doors are optionally available in 7 preferred colours, in RAL to choose, and in special NCS colours.



# 4

**Fitting without mortar for fire-rated doors**

The high-quality frames for the **T30 / EI<sub>2</sub>30** and **T90 / EI<sub>2</sub>90 steel and stainless steel fire-rated doors STS / STU** are backfilled with mineral wool at the factory and can therefore be fitted quickly and neatly without mortar. This guarantees clean surfaces without any contamination or damage. This is especially advantageous with stainless steel frames or paint frames, as well as when retrofitting e.g. during renovations.

# Good reasons to try Hörmann

High-quality door construction for demanding architecture



# 5

**Developed today  
for the future**

Steel and stainless steel construction project doors STS/STU are designed in accordance with European fire protection requirements of **product standard EN 16034** as well as **tested according to DIN 4102 and EN 1634**. For you this means: After harmonisation of the product standard EN 16034, this replaces the country-specific approvals. **Only these European standards** and any relevant country-specific requirements **now apply when planning your fire-rated doors**.

# 6

**Internal and  
external doors**

Internal and external doors have different requirements for fire protection and performance characteristics, such as wind load or water-tightness under heavy rain. The **fire protection functions of internal doors are subject to a test acc. to DIN 4102 and EN 1634**. External doors, however, close a wall opening on the building. As they are usually exposed to wind and weather, the **performance characteristics are tested according to EN 14351-1**. For fire-rated doors, the additional product standard EN 16034 "Product standard, performance characteristics – Fire resistance and/or smoke control characteristics" is required.



# 7

## Main and secondary functions

In addition to the main function of the steel and stainless steel construction project doors STS / STU (e.g. fire protection), the functions can be **extended according to individual requirements**. Numerous additional performance characteristics are available to you. Equip your fire-rated door with break-in-resistant RC 2 or RC 3 safety equipment, for example.



The tested burglar protection of our steel and stainless steel construction project doors STS / STU is also recommended by police information centres.

# 8

## Barrier-free passages

Hörmann **automatic hinged doors allow barrier-free passage** and are universally applicable. Our construction project doors are already available from the factory with a suitable operator on request. You can conveniently operate the automatic doors by button, radar and movement detector, as well as **Hörmann operating elements with BiSecur radio technology**, such as the convenient hand transmitter, for example. Also, a door with a barrier-free overhead door closer is possible, which allows door opening with little effort.

# STS / STU steel and stainless steel construction project doors

62 mm thick door leaf in flush-fitting and thick rebate version



The door shown contains special equipment.

## 1 Rebate versions

The **flush STS version** is especially suitable for demanding architecture. A combination with block frames 62 / 55 or 62 / 75 produces a flush-fitting transition between the door leaf and frame. The **thick rebate version STU** is recommended for functional areas and for break-in-resistant doors (RC 2, RC 3). This results in a flush door appearance on one side when used with a double rebate frame.

## 2 Glazings

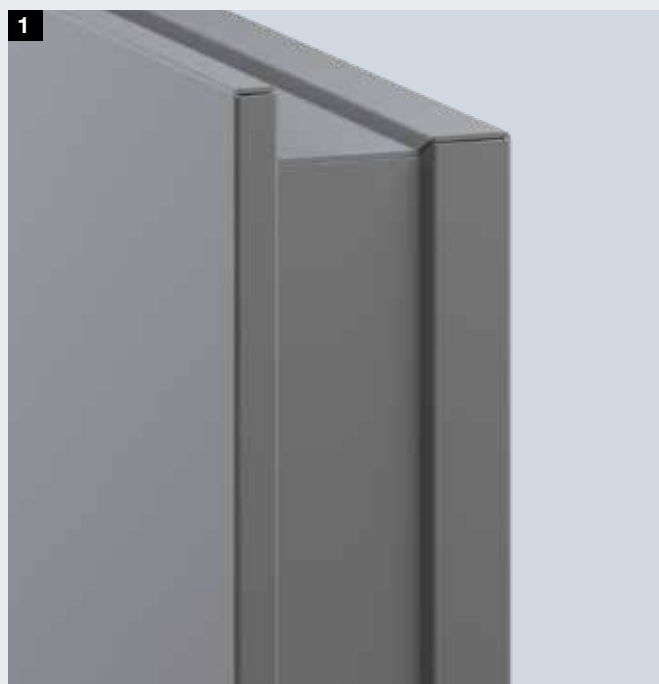
The Hörmann steel and stainless steel construction project doors can be optionally equipped with different glazing variants. The surface-mounted standard glazing frame features invisible fittings on the hinge side. Optionally, you can also choose the flush-fitting glazing profiles for high-quality architectural demands as well as flush-fitting glazings especially for clean rooms. All glazing profiles are available in steel and stainless steel.

## 3 Lock

As standard, Hörmann steel and stainless steel construction project doors come with a mortice lock with lever / knob prepared for PC in accordance with DIN 18250 and a stainless steel lock cover. Break-in-resistant doors RC 3 contain a multiple locking system. For double-leaf doors, the fixed leaf is secured with a latch in rebate or a rebate locking bolt at the top and bottom depending on the function.



STS: Flush



STU: Thick rebate



**4 Lever handle set**

As standard, steel and stainless steel construction project doors STS / STU come with an FS round lever handle set in accordance with DIN 18273 in black (polypropylene) with round rose escutcheons and securely fitted lever handle. Optionally, the standard lever handle set with ball-bearing also comes in stainless steel or you may use object lever handle sets or short escutcheon lever sets. Break-in-resistant doors are supplied with a stainless steel FS security lever / knob handle set with ball bearing and pull-off protection according to DIN 18257, class ES 1 (with short escutcheon) or ES 2 (with long escutcheon).

**5 Closing devices**

Fire-rated and smoke-tight doors close automatically as standard. Single-leaf doors come with the exclusive slide rail door closer HDC 35 and double-leaf doors with the TS 5000 as standard. Depending on the size, equipment, use or fitting style, you can also order doors with spring hinge, linkage door closer, slide rail door closer with door leaf selector or concealed, integrated door closer for a high-quality look. Alternatively, we supply the closing element and slide rail in a stainless steel look and the slider in stainless steel V2 A. Further closing systems can be found on pages 54 and 55.

**6 3-way adjustable hinges**

Doors STS / STU are primed in RAL 9002 and equipped with 3-way adjustable guide rollers as standard. Stainless steel guide rollers or concealed hinges may also be used in flush-fitting doors STS for a sophisticated look. Coloured doors in RAL to choose or in a preferred colour come with stainless steel guide rollers as standard.

**Optimally 3-way adjustable**

All hinge systems are 3-way adjustable and are particularly effective at fine door adjustments, even after the fact. This means you can balance out minor fitting tolerances.

**7 Security bolts**

In fire-rated and smoke-tight doors and exterior multi-purpose doors, two steel security bolts on the hinge side as standard provide additional stability. Break-in-resistant doors according to DIN EN 1627 are secured on the hinge side against forced opening with up to 7 solid steel security bolts per door leaf, depending on the resistance class. Stainless steel doors come with stainless steel security bolts as standard.



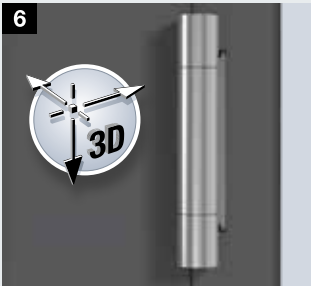
Exclusive slide rail door closer HDC 35 (single-leaf doors) or TS 5000 (double-leaf doors)



Linkage door closer for single-leaf and double-leaf doors



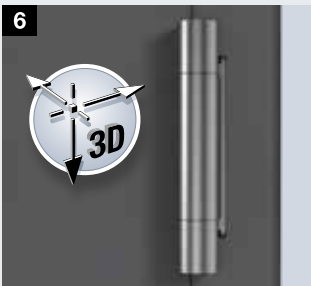
Integrated door closer ITS 96 for single-leaf and double-leaf doors



3-way adjustable hinge, galvanized (Standard)



3-way adjustable hinge, concealed (optional)



3-way adjustable stainless steel guide roller (optional)



Security bolts

# Surface finishes and colours

## Galvanized primed, colour-coated or stainless steel

### Surface finishes and colours

Door leaves and frames are supplied as standard galvanized or galvanized with powder-coated primer in Grey white RAL 9002. Alternatively, surface coating is available in 7 preferred colours, RAL to choose, or special NCS colours. All preferred colours are also available in the fast-track programme.

### Galvanized version



### Stainless steel version

STS / STU doors are available in numerous stainless steel versions for special visual or hygiene requirements or when technical room doors are required. Depending on the function, you may choose between V2 A or V4 A stainless steel and the following surface finishes:



#### 1 Polished finish

This surface is first ground to K240 grain size and then brushed to refine and finish it.

#### 2 Circular finish

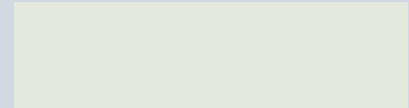
This matt circular surface is characterised by radial lines.

#### 3 Striped finish

Fine vertical lines result in a harmonious surface look.



### Priming



Grey white

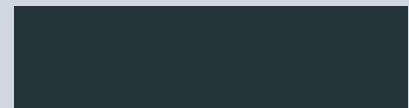
RAL 9002

### 7 preferred colours



Flame red

RAL 3000



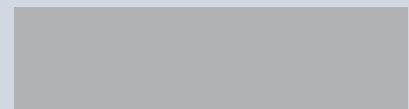
Anthracite grey

RAL 7016



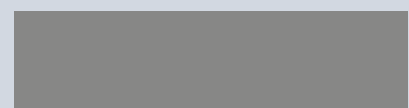
Light grey

RAL 7035



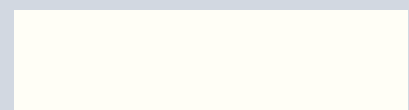
White aluminium

RAL 9006



Grey aluminium

RAL 9007



Pure white

RAL 9010



Traffic white

RAL 9016



#### RAL to choose

We also supply all doors optionally in RAL to choose, metallic colours, or NCS colours.

All colours based on RAL.

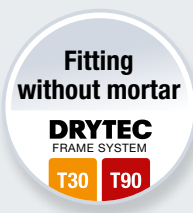


# DryTec frame system

Fitting without mortar for fire-rated doors

Up to fire protection category EI<sub>290</sub>

Our high-quality DryTec frames are especially suited for stainless steel and powder-coated fire-rated doors, as well as for fitting in unplastered brickwork. DryTec frames are backfilled with mineral wool at the factory and can therefore be fitted quickly and neatly without mortar. This guarantees clean surfaces without any contamination or damage and subsequent painting is not required. The gap between the brickwork and frame is sealed with acrylic. Larger gaps (>5 mm) must only be filled with commercially available, fire-proof mineral wool.

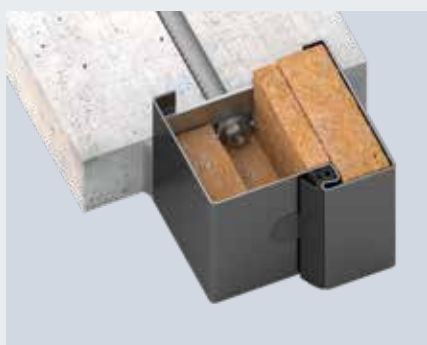


#### Standard corner frame 40 (image on left)

- No mortice work required for fitting elements of the frame
- Faster, cleaner fitting
- Depth 60 mm hinge side or 40 mm opposite hinge side

#### Custom corner frame 20

- Increased clear passage width
- Minimum depth 40 mm on hinge side and 20 mm on opposite hinge side
- Further flexible depths are possible

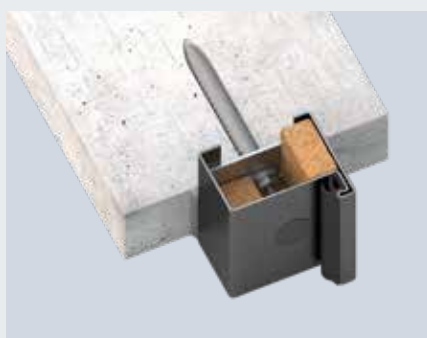


#### Block frame 85 (image on left), block frame 95

- Version with 55 mm or 75 mm depth
- Flush-fitting on one side for flush doors (STS)
- Flush wall fitting with optional patented fixing material

#### Block frame 105 / 100

- 85 mm wide frame face (for 90° openings in hallways)
- For doors with operator equipment
- Flush-fitting on one side for flush doors (STS)
- Flush wall fitting with optional patented fixing material



#### Block frame 62 / 55 (image on left)

- Flush-fitting on both sides for flush doors (STS)
- Flush wall fitting with optional patented fixing material

#### Block frame 62 / 75

- 60 mm wide frame face (for 90° openings in hallways)
- Flush-fitting on both sides for flush doors (STS)
- Flush wall fitting with optional patented fixing material



#### Profile frame 40 (image on left)

- Profile widths up to 400 mm
- Special frames with edge recess for an individual look
- With double rebate for higher acoustic insulation (up to 42 dB)

#### 2-part profile frame 60

- Profile widths up to 400 mm
- Welded in the mitred area
- Separated invisibly in the lining groove
- For renovations and retrofitting

# Steel and stainless steel frame types

## A large range for individual fitting situations

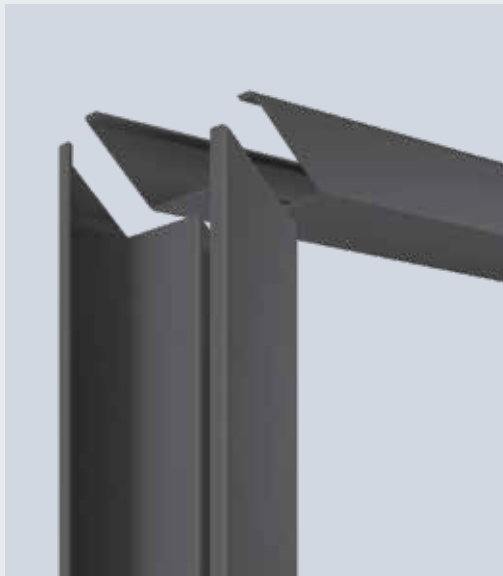
The Hörmann frame system guarantees a stable wall connection for optimal and long-lasting door functionality.

### Our frame variants

- Standard corner frame 40
- Custom corner frame 20
- Block frame 62 / 55 or 62 / 75
- Block frame 85 / 55 or 85 / 75
- Block frame 95 / 55 or 95 / 75
- Block frame 105 / 100
- Profile frame
- Profile frame, double-shell
- Double-rebate frame for a flush-fitting door appearance in RC 2, RC 3 security doors
- Add-on frame (only for MZ doors)
- Panel wall frame for hall construction
- Special frames with chamfered edge recess for an individual look

### Advantages at a glance

- Sheet thickness 1.5 mm or 2.0 mm for block frames (62 / 55 mm and 62 / 75 mm)
- Optionally with floor recess of 30 mm
- Hörmann lining groove (except for block frames 62 / 55 mm and 62 / 75 mm)
- As standard galvanized and with powder-coated primer in Grey white (similar to RAL 9002)
- Optionally in 7 preferred colours, in RAL to choose, in special NCS colours or in stainless steel
- Fast and simple plug-and-screw fitting with fixing brackets including steel spacers



### 3-part frames

Separated in the mitred area and with installation-friendly packaging, for simple clamp / screw fitting to solid walls and dry construction walls

- Standard with single-leaf and double-leaf steel doors
- Not available for stainless steel doors and security doors



### 2-part frames

Separated invisibly in the lining groove for renovation and retrofitting

- Optionally for single-leaf and double-leaf steel doors (3-part)
- Optionally for single-leaf and double-leaf stainless steel doors (welded in the mitred area)



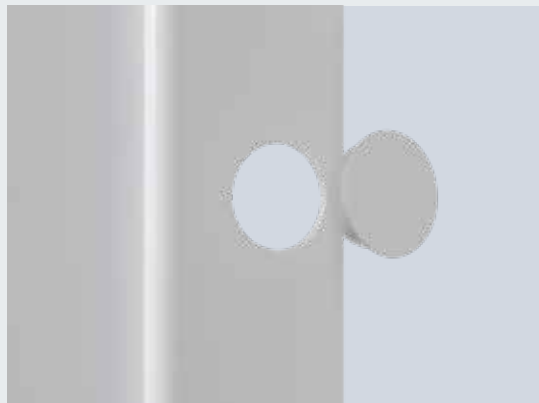
### 1-part frames

Welded in the mitred area and polished for solid walls, dry construction walls and fitting in partition walls

- Standard with single-leaf and double-leaf stainless steel doors
- Optionally for single-leaf and double-leaf steel doors
- Available up to 2400 mm door width

## Flush cover caps

For all frames, flush cover caps provide an attractive appearance. Primed frames and frames in preferred colours come with cover caps that match the frame colour. Frames in RAL to choose come with black caps and stainless steel frames come with caps in a stainless steel colour.



Precise fitting in the fastening holes



## Flush-fitting stainless steel lock plate with catch alignment and edge protector

Steel and stainless steel doors are optionally equipped with a flush-fitting stainless steel lock plate incl. catch alignment and edge protector. The lock latch can be optimally adjusted with the catch alignment. The edge protector also effectively protects the priming or coating. Doors prepared for an electric strike feature a tube in the frame with which the electric strike can be connected.



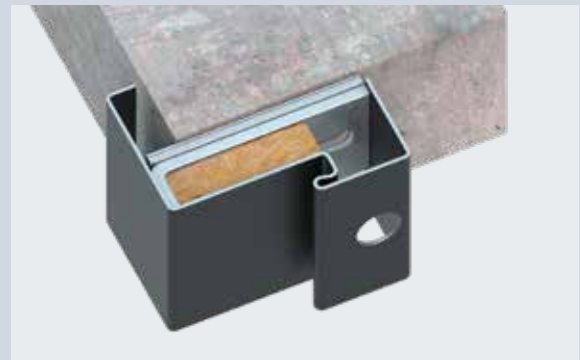
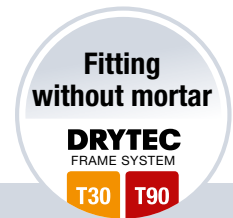
## Lining groove

The steel and stainless steel frames are equipped with self-locking seals in the frame as standard. The special lining groove means that bonding the seals is not necessary. This makes on-site painting or maintenance at a later point easier (except for block frames 62 / 55 mm and 62 / 75 mm).

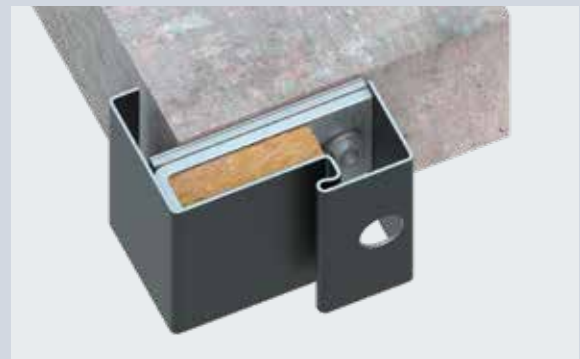


# DryTec frames for solid walls

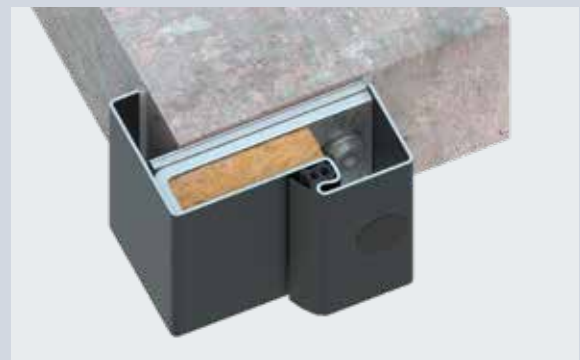
Faster and cleaner fitting without mortar



1. Place the frame in the opening and align it



2. Tighten the frame with simple plug-and-screw fitting



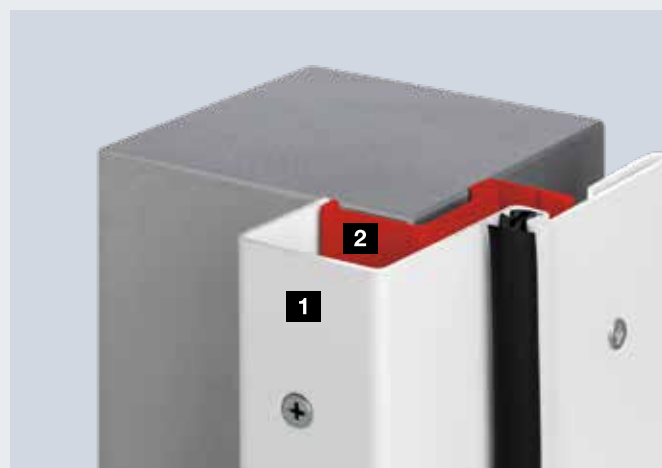
3. Seal the connection gaps and cover up the plug fastening holes

## Fitting made easy with DryTec frames

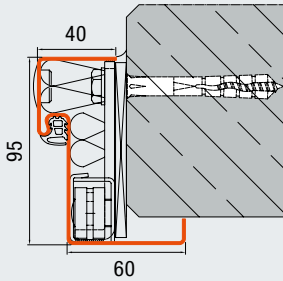
The DryTec frame is the ideal solution for simple, quick, clean fitting without mortar. The frame for T90 / EI<sub>2</sub>90 fire-rated doors is backfilled with mineral wool at the factory. It is ideal for fitting to unplastered brickwork, as the risk of soiling or damage to the frame and brickwork is minimised. In addition, no mortice work is required for fitting elements of the frame with the standard corner frame 40. A clean connection with unplastered brickwork is also ensured, as the gap between the frame and brickwork is sealed with acrylic. The DryTec frame can also be retrofitted and is thus the ideal frame for fitting to existing structures.

## Renovation frame STU 30-1 for fire-rated doors H8-5 and H8-1

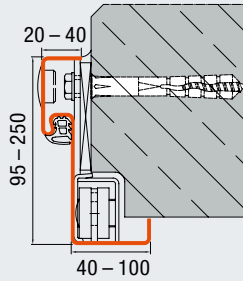
The renovation frame STU 30-1 (1) is designed for fitting using the existing frame (2) of fire-rated doors (H8-5 and H8-1). It is available powder-coated in Traffic white RAL 9016 or optionally in RAL to choose. As optional door equipment, the RC 2 security package and a retractable bottom seal are available.



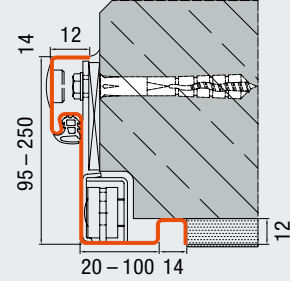
**Advantage of corner and profile frame 40: No mortice work is required for fitting elements of the frame**



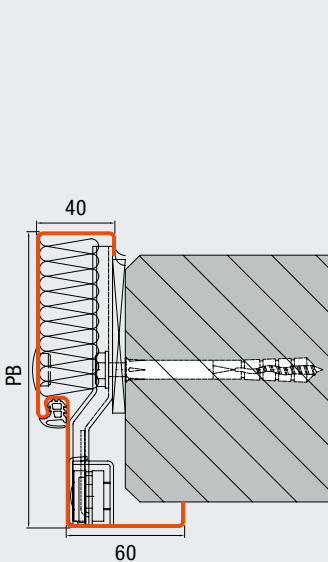
**Standard corner frame 40**  
Plug-and-screw fitting  
Concrete / brickwork  
(Standard)



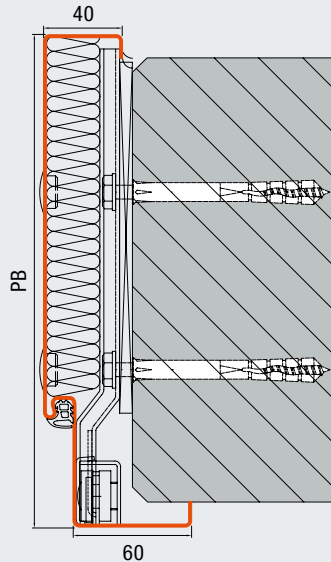
**Custom corner frame 20**  
Plug-and-screw fitting  
Concrete / brickwork



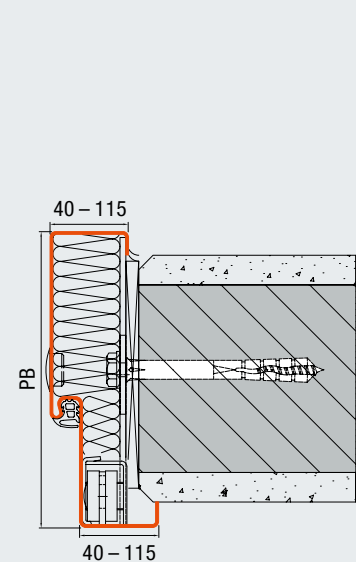
**Custom corner frame 20**  
Plug-and-screw fitting  
Concrete / brickwork  
With edge recess option



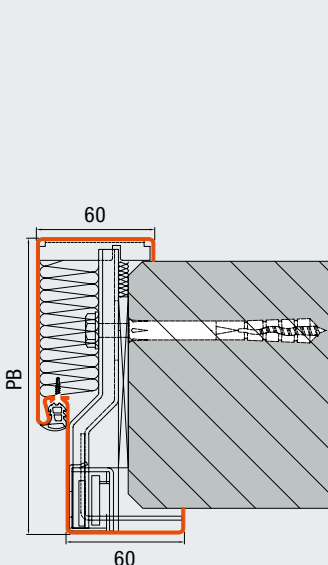
**Standard profile frame 60**  
Plug-and-screw fitting up to 250 mm profile width  
Concrete / brickwork  
(Standard)



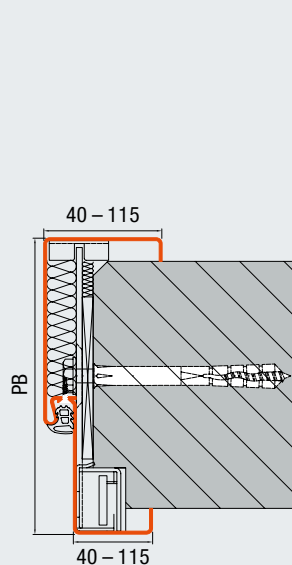
**Standard profile frame 60**  
Plug-and-screw fitting from 250 mm profile width  
Concrete / brickwork  
(Standard)



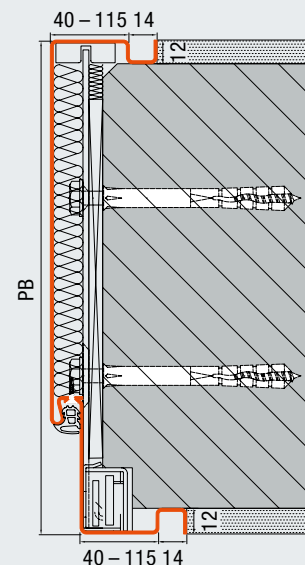
**Custom profile frame**  
Concrete / brickwork



**Standard 2-part profile frame 60**  
Plug-and-screw fitting up to 250 mm profile width  
Concrete / brickwork  
(Standard)



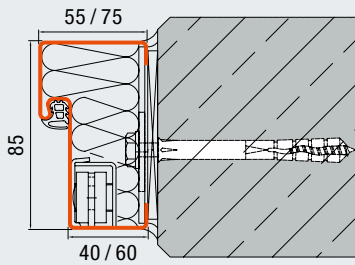
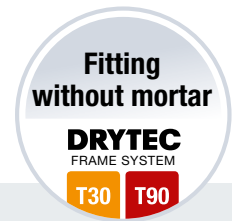
**Custom 2-part profile frame**  
Plug-and-screw fitting  
Concrete / brickwork  
With edge recess option



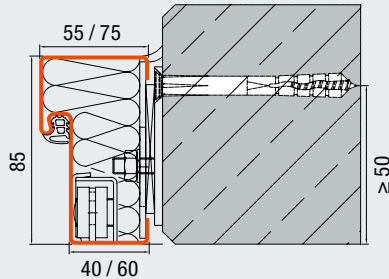
**Custom 2-part profile frame**  
Plug-and-screw fitting from 250 mm profile width  
Concrete / brickwork  
With edge recess option

# DryTec frames for solid walls

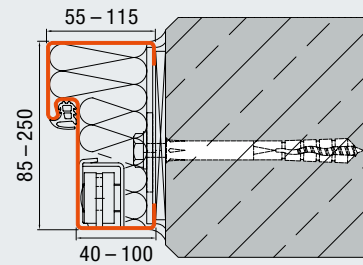
## Faster and cleaner fitting without mortar



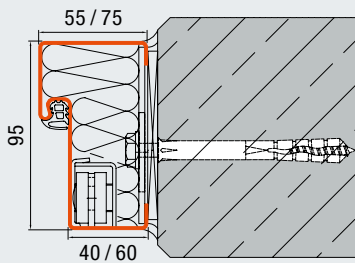
**Block frame 85 / 55, 85 / 75**  
 Plug-and-screw fitting  
 Concrete / brickwork  
 (Standard)



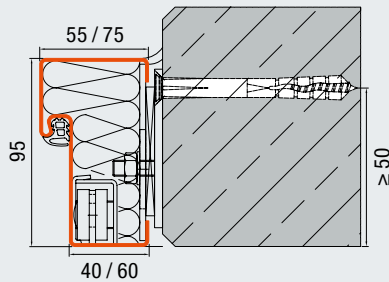
**Block frame 85 / 55, 85 / 75**  
 Plug-and-screw fitting, flush wall fitting,  
 hinge side  
 Concrete / brickwork



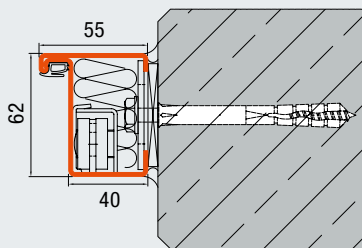
**Custom block frame**  
 Plug-and-screw fitting  
 Concrete / brickwork



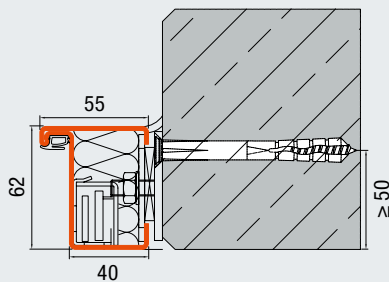
**Block frame 95 / 55, 95 / 75**  
 Plug-and-screw fitting  
 Concrete / brickwork  
 (Standard)



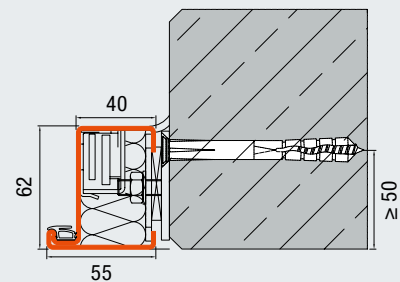
**Block frame 95 / 55, 95 / 75**  
 Plug-and-screw fitting, flush wall fitting,  
 hinge side  
 Concrete / brickwork



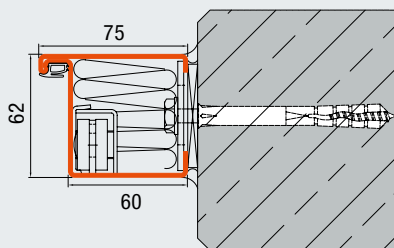
**Block frame 62 / 55**  
 Plug-and-screw fitting  
 Concrete / brickwork  
 (Standard)



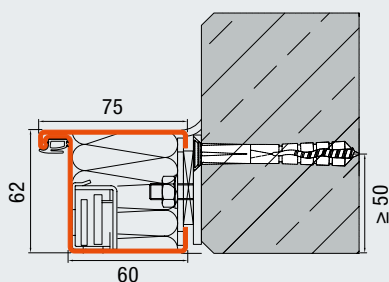
**Block frame 62 / 55**  
 Plug-and-screw fitting, flush wall fitting,  
 hinge side  
 Concrete / brickwork



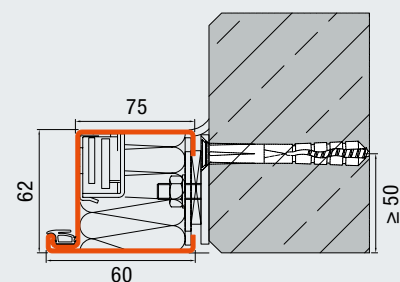
**Block frame 62 / 55**  
 Plug-and-screw fitting, flush wall fitting,  
 opposite hinge side  
 Concrete / brickwork



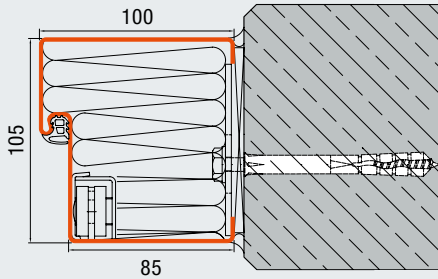
**Block frame 62 / 75**  
 Plug-and-screw fitting  
 Concrete / brickwork  
 (Standard)



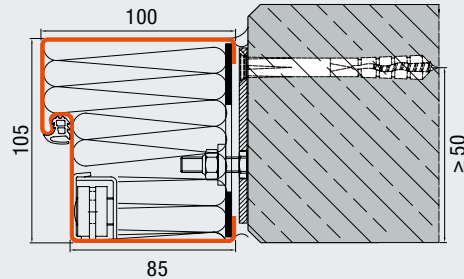
**Block frame 62 / 75**  
 Plug-and-screw fitting, flush wall fitting,  
 hinge side  
 Concrete / brickwork



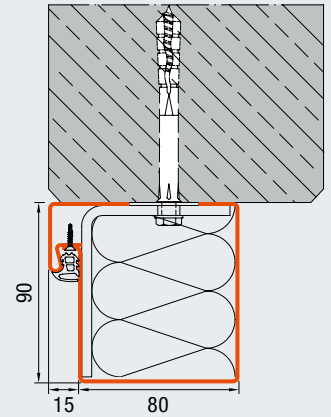
**Block frame 62 / 75**  
 Plug-and-screw fitting, flush wall fitting,  
 opposite hinge side  
 Concrete / brickwork



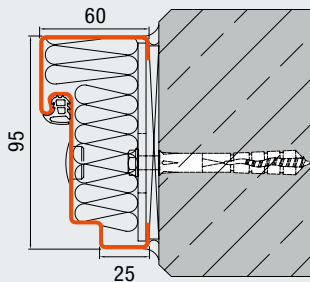
**Block frame 105 / 100**  
 Plug-and-screw fitting  
 Concrete / brickwork  
 (Standard)



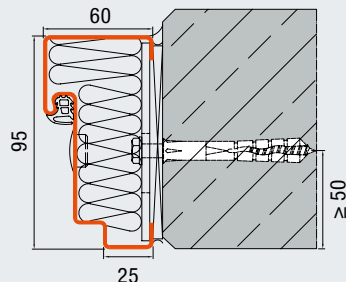
**Block frame 105 / 100**  
 Plug-and-screw fitting, flush wall fitting, hinge side  
 Concrete / brickwork



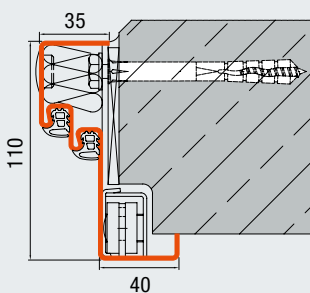
**Add-on frame (only for MZ doors)**  
 Plug-and-screw fitting  
 Concrete / brickwork  
 (Standard)



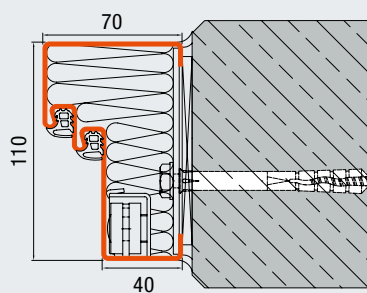
**Double-rebate frame for flush-fitting thick rebate doors (STU)**  
 Plug-and-screw fitting  
 Concrete / brickwork  
 (Standard)



**Double-rebate frame for flush-fitting thick rebate doors (STU)**  
 Plug-and-screw fitting, flush wall fitting  
 Concrete / brickwork



**Double rebate corner frame for flush-fitting doors (STS) with acoustic insulation up to 42 dB**  
 Plug-and-screw fitting  
 Concrete / brickwork  
 All dimensions in mm



**Double rebate block frame for flush-fitting doors (STS) with acoustic insulation up to 42 dB**  
 Plug-and-screw fitting  
 Concrete / brickwork

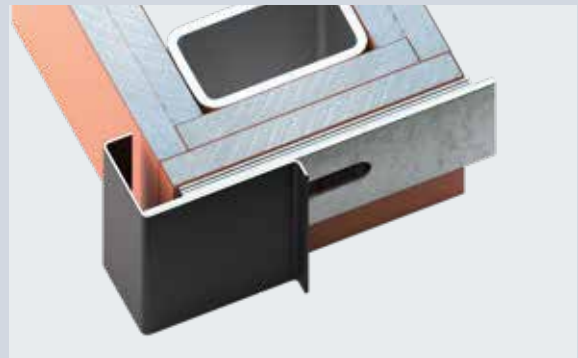
# DryTec frames for dry construction walls

Fast and concealed fitting for metal and timber partition walls

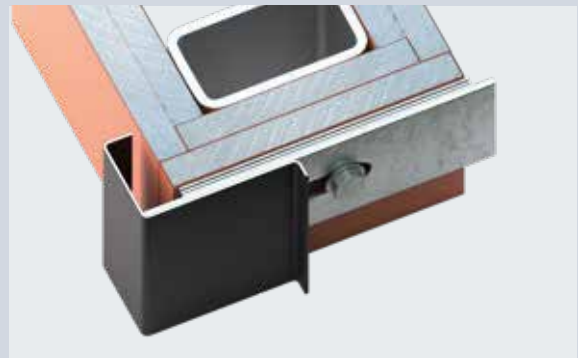


## 2-part profile frame with concealed bolting

The 2-part profile frame system is particularly suitable for retrofitting. It is fastened to the partition wall via 6 fixing points (in single-leaf doors), with one screw each. First, only the corner frame profile is mounted. After this step, the door leaf can be adjusted so that it is optimally fitted to the seal. This is particularly advantageous for doors featuring smoke protection, acoustic insulation or thermal insulation. Only then is counter frame profile 2 mounted. Next, the two frame profiles are fastened with screws concealed in the sealing groove. The screw is covered by the sealing. The gap between the wall and the frame is sealed with acrylic.



1. Place corner frame profile of the frame in the opening and align it



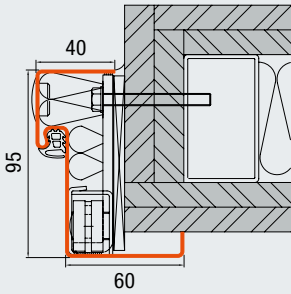
2. Screw corner frame profile to the partition wall



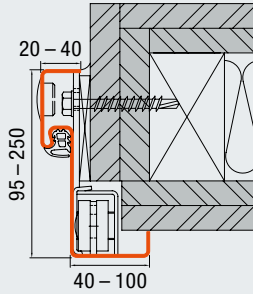
3. Screw counter frame profile of the frame to profile through the sealing groove and cover with the door sealing



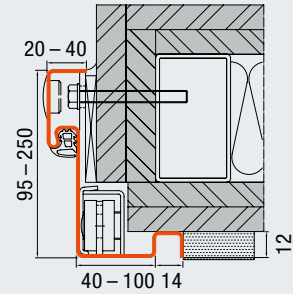
**All dry construction frames are suitable for fire-rated doors in metal and timber partition walls**



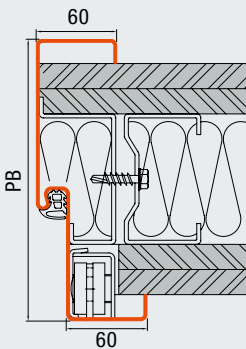
**Standard corner frame 40**  
Screw-fixing  
(Metal partition wall shown)



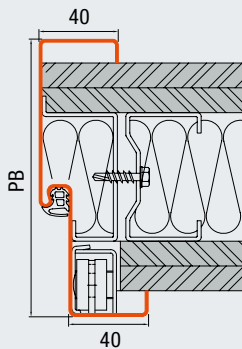
**Custom corner frame 20**  
Screw-fixing  
(Timber partition wall shown)



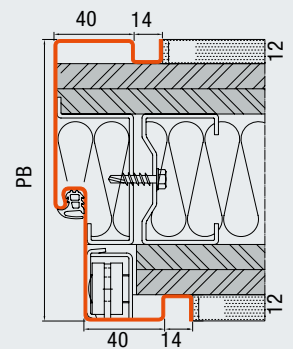
**Individual corner frame**  
Screw-fixing with edge recess option  
(Metal partition wall shown)



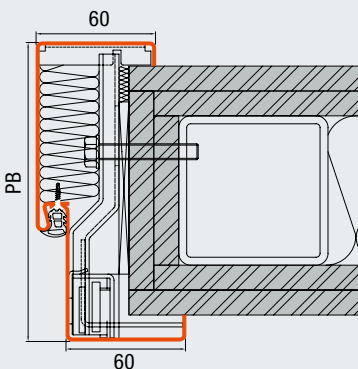
**Profile frame 60**  
for fitting at the time of wall construction  
(Metal partition wall shown)



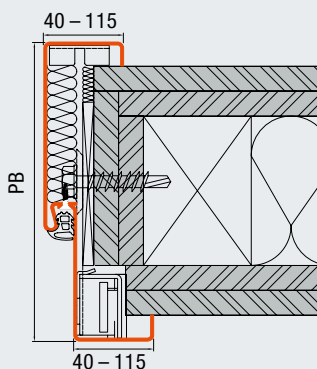
**Custom profile frame**  
for fitting at the time of wall construction  
(Metal partition wall shown)



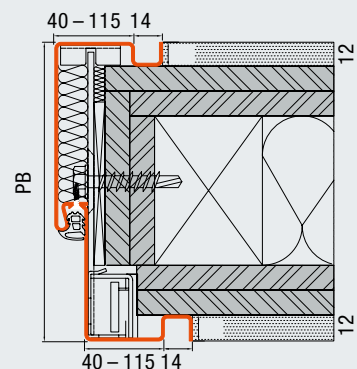
**Custom profile frame**  
for fitting at the time of wall construction  
With edge recess option  
(Metal partition wall shown)



**Standard 2-part profile frame 60**  
Screw-fixing  
(Metal partition wall shown)



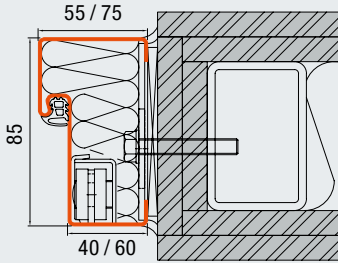
**Custom 2-part profile frame**  
Screw-fixing  
(Timber partition wall shown)



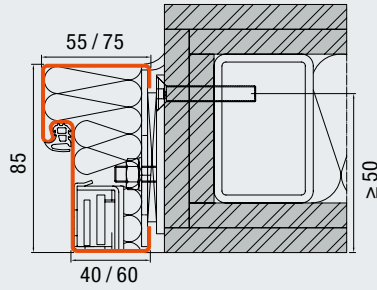
**Custom 2-part profile frame**  
Screw-fixing  
With edge recess option  
(Timber partition wall shown)

# DryTec frames for dry construction walls

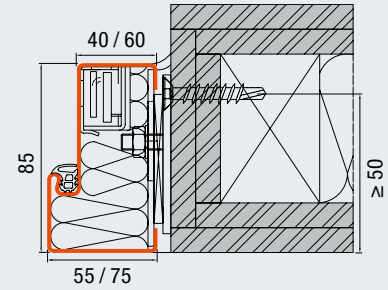
## Fast and concealed fitting in metal and timber partition walls



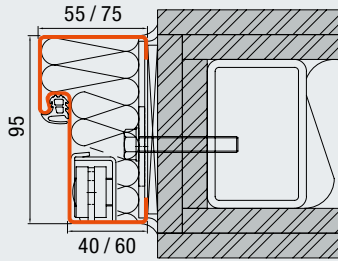
**Block frame 85 / 55, 85 / 75**  
Screw-fixing  
(Metal partition wall shown)



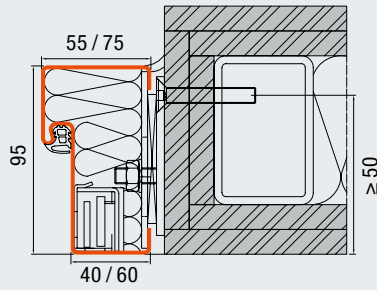
**Block frame 85 / 55, 85 / 75**  
Screw-fixing, flush wall fitting, hinge side  
(Metal partition wall shown)



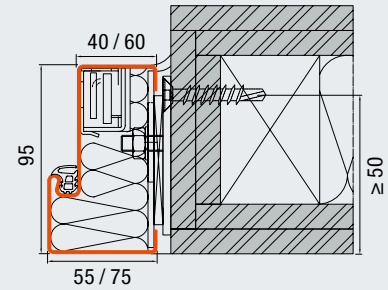
**Block frame 85 / 55, 85 / 75**  
Screw-fixing, flush wall fitting,  
opposite hinge side  
(Timber partition wall shown)



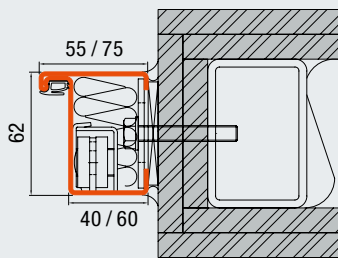
**Block frame 95 / 55, 95 / 75**  
Screw-fixing  
(Metal partition wall shown)



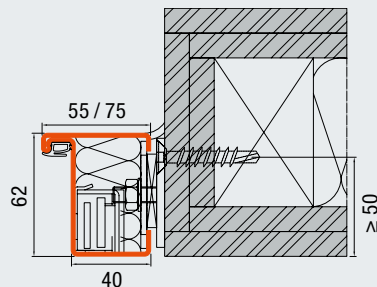
**Block frame 95 / 55, 95 / 75**  
Screw-fixing, flush wall fitting, hinge side  
(Metal partition wall shown)



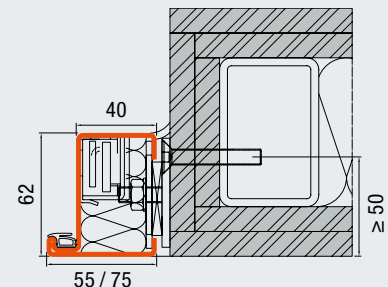
**Block frame 95 / 55, 95 / 75**  
Screw-fixing, flush wall fitting,  
opposite hinge side  
(Timber partition wall shown)



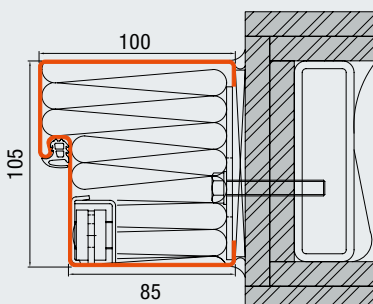
**Block frame 62 / 55, 62 / 75**  
Screw-fixing  
(Metal partition wall shown)



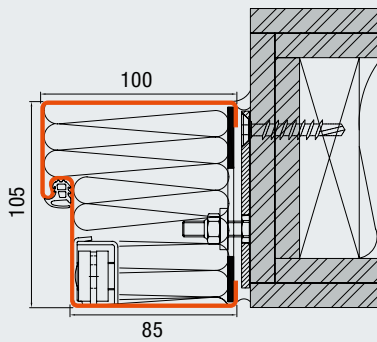
**Block frame 62 / 55**  
Screw-fixing, flush wall fitting, hinge side  
(Timber partition wall shown)



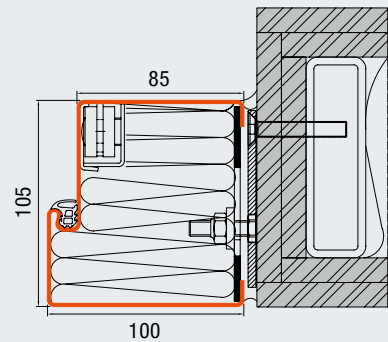
**Block frame 62 / 55**  
Screw-fixing, flush wall fitting,  
opposite hinge side  
(Metal partition wall shown)



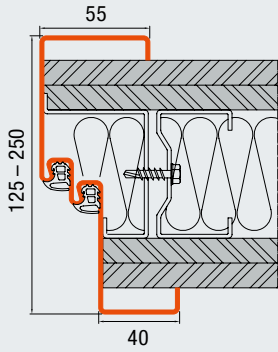
**Block frame 105 / 100**  
Screw-fixing  
(Metal partition wall shown)



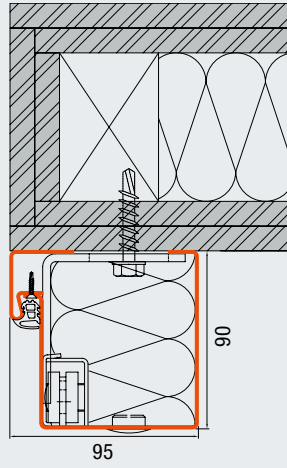
**Block frame 105 / 100**  
Screw-fixing, flush wall fitting, hinge side  
(Timber partition wall shown)



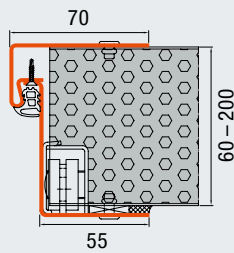
**Block frame 105 / 100**  
Screw-fixing, flush wall fitting,  
opposite hinge side  
(Metal partition wall shown)



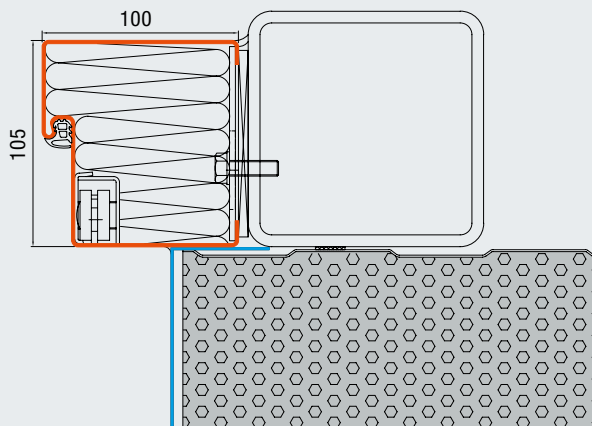
**Double rebate frame for flush-fitting doors (STS) with acoustic insulation up to 42 dB**  
for fitting at the time of wall construction  
(Metal partition wall shown)



**Add-on frame (only MZ doors)**  
Screw-fixing  
(Timber partition wall shown)



**Panel wall frame (only for MZ doors)**  
Rivet fitting / screw-fixing 80 / 100 mm P4 panel walls, mineral wool panel walls in interiors and exteriors (STS / STU doors)



**Block frame 105 / 100**  
Screw-fixing for MZ external doors in hall construction

# The right solutions for your requirements

Fire-retarding, smoke-tight, acoustic-rated, break-in-resistant

T30

EI<sub>2</sub>30

T60

T90

EI<sub>2</sub>90

RS

S<sub>200</sub>

## Fire-rated and smoke-tight doors

Smoke and fire damage can have considerable, even life-threatening results. It is therefore important to secure your premises with fire-rated and smoke-tight doors. It's a good thing that you can rely on Hörmann fire-rated and smoke-tight doors that are tested and officially approved.



dB

## Acoustic-rated doors

Noise not only affects the concentration but can also cause stress and permanent illness. This is why it is important to insulate noise as much as possible in the area in which it occurs. With acoustic values up to 61 dB, Hörmann acoustic-rated doors considerably contribute to this.



RC 2

RC 3

## Security doors

Safety first! Hörmann break-in-resistant doors have been tested and certified in accordance with the European standards DIN V ENV 1627 to 1630 since 1999. Double-leaf security doors with resistance class RC 3 with anti-panic function according to EN 1125 reliably secure your emergency exits against break-in attempts.



MZ

## Multi-purpose doors

Whether for your warehouse or offices, indoors or outdoors, with or without special equipment – the large range of Hörmann multi-purpose doors complies with a multitude of requirements.

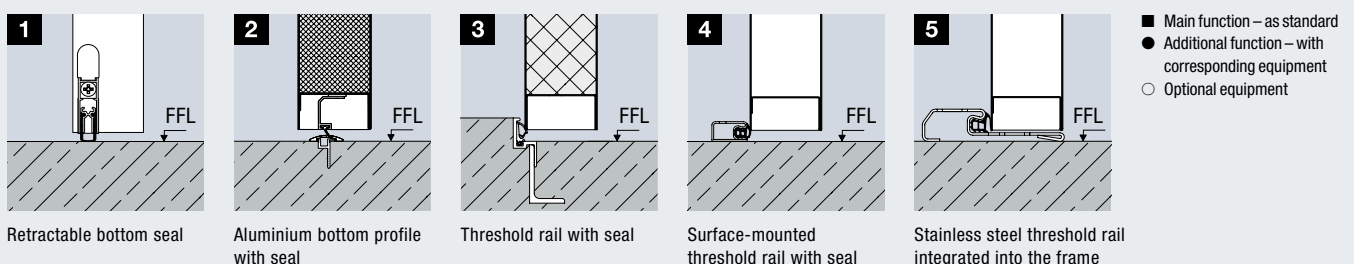


# Overview of door functions

Simple planning for wall openings and passage widths, thanks to a 62 mm door leaf thickness in every function

Door designation	Page	Fire-rated doors				Smoke-tight doors		Security door	Multi-purpose doors		Technical room door		Double-action door
		STS 30 Single-leaf / double-leaf	STU 30 Single-leaf / double-leaf	STS 90 Single-leaf / double-leaf	STU 90 Single-leaf / double-leaf	STS Single-leaf / double-leaf	STU Single-leaf / double-leaf	STU Single-leaf / double-leaf	STS Single-leaf / double-leaf	STU Single-leaf / double-leaf	STS Single-leaf	STU Single-leaf	SPT MZ Single-leaf / double-leaf
<b>Internal doors</b>	<b>Page</b>	<b>30 – 33</b>	<b>30 – 33</b>	<b>34 – 35</b>	<b>34 – 35</b>	<b>38 – 39</b>	<b>38 – 39</b>	<b>40, 41</b>	<b>42 – 44</b>	<b>42 – 44</b>	<b>45</b>	<b>46, 47</b>	
Fully bonded composite construction		■	■	■	■	■	■	■	■	■	■	■	
Flush version		■		■		■			■		■		
Thick rebate version			■		■		■	■		■		■	
<b>T30</b> T30 fire-retarding		■	■					●					
<b>EI<sub>2</sub>30</b> EI <sub>2</sub> 30 fire-retarding		■	■					●					
<b>T90</b> T90 fire-proof				■	■			●					
<b>EI<sub>2</sub>90</b> EI <sub>2</sub> 90 fire-proof				■	■			●					
<b>S<sub>200</sub></b> Smoke-tight		●	●	●	●	■	■	●	●	●	●	●	
<b>RS</b> Smoke-tight		●	●	●	●	■	■	●	●	●	●	●	
<b>dB</b> Acoustic rating		●	●	●	●	■	■	●	●	●			
<b>RC 2</b> Break-in-resistant, RC 2			●		●			■		●		●	
<b>RC 3</b> Break-in-resistant, RC 3			●		●			■		●			
<b>MZ</b> Multi-purpose door									■	■		■	
<b>MZA</b> Technical room door										■	■		
Use in exterior walls													
<b>External doors</b>	<b>Page</b>							<b>48, 49</b>					
<b>RC 2</b> Break-in-resistant, RC 2												●	
<b>RC 3</b> Break-in-resistant, RC 3												●	
<b>MZ</b> Multi-purpose door												■	

## Door bottom edges



**ThyssenKrupp Quarter, Essen Architects:  
JSWD Architekten, Cologne**



**Hörmann products**

- Flush-fitting T30 / EI<sub>2</sub>30 fire-rated doors STS
- T30 steel hollow profiled section doors HE 310 / 330 S-Line
- T30 steel fire-rated doors H3

# T30 / EI<sub>2</sub>30 steel fire-rated door STS 30 / STU 30

Single- and double-leaf, flush-fitting and thick rebate version



**STS 30**  
Flush



**STU 30**  
Thick rebate

## Main feature

**T30**

**T30 / EI<sub>2</sub>30**  
**fire-retarding**  
With fire protection insert

**EI<sub>2</sub>30**

## Additional performance characteristics

(with corresponding equipment, see page 28)

**RS**

**Smoke-tight**  
With retractable bottom seal (without top part)

**S<sub>200</sub>**

**Acoustic rating**  
Up to 32 dB with retractable bottom seal

**dB**

Up to 42 dB with double rebate frame

**RC 2**

**Break-in-resistant**  
RC 2 (STU 30)

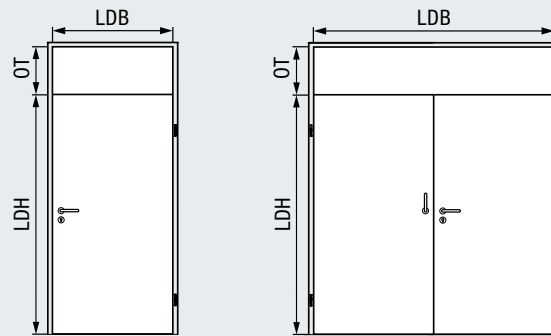
**RC 3**

**Break-in-resistant**  
RC 3 (STU 30)

## Optional extras

Frame types Page 16

Glazing variants Page 50



## Steel fire-rated door

### Door leaf

### Single-leaf

62 mm

### Double-leaf

62 mm

### Sheet thickness

1.0 mm

1.0 mm

### Rebate type

**STS 30:**  
Flush  
**STU 30:**  
Thick rebate

**STS 30:**  
Flush  
**STU 30:**  
Thick rebate

## Fitting in

	Single-leaf	Double-leaf
Brickwork	≥ 115 mm	≥ 115 mm
Concrete	≥ 100 mm	≥ 100 mm
Gas concrete	≥ 200 mm	≥ 200 mm
Partition walls	≥ 100 mm	≥ 100 mm
Cladded steel supports / girders	≥ F60 A	≥ F60 A

STS 30 / STU 30 (galvanized)	Single-leaf		Double-leaf	
	Width	Height	Width	Height
<b>Clear passage dimension (LDB / LDH)</b>	585 – 1300	1730 – 2800	1335 – 2600	1730 – 2800
<b>Clear passage dimension Traffic leaf</b>			591 – 1309	
Top part height (OT)		300 – 1000		300 – 1000
Overall frame dimension for block frame	695 – 1530	1785 – 2915	1445 – 2830	1785 – 2915
Overall frame dimension for block frame with top part		2030 – 3500		2030 – 3500
Nominal size for corner / profile frame	625 – 1380	1750 – 2840	1375 – 2680	1750 – 2840
Nominal size for corner / profile frame with top part		2030 – 3500		2030 – 3500

Overall frame dimensions:

Smallest dimension in combination with block frame depth 55 mm (e.g. 62 / 55, 95 / 55), corner frame depth 20 mm  
Largest dimension in combination with block frame depth 115 mm, corner frame depth 40 mm, size ranges in versions with RC 2, RC 3, dB or RS may deviate.

The information for the clear passage dimension refers to the frame opening.  
This dimension may be reduced if the leaf is opened 90° or with door fittings.

All information in accordance with approval and technical feasibility. Actual dimensions may differ depending on the frame type, frame depth, or width-height ratio of the door.

All dimensions in mm

Laeckerli Huus, Frenkendorf, Switzerland

Architects: ffbk Architekten AG, Münchenstein / Basel



**Hörmann products**

- Flush-fitting T30 / EI<sub>30</sub> stainless steel fire-rated doors STS
- Stainless steel fire doors FST 30
- Stainless steel high-speed door V 2515 Food L



# T30 / EI<sub>2</sub>30 stainless steel fire-rated door STS 30 / STU 30

Single- and double-leaf, flush-fitting and thick rebate version



**STS 30**  
Flush



**STU 30**  
Thick rebate

## Main feature

**T30**

**T30 / EI<sub>2</sub>30**  
**fire-retarding**  
With fire protection insert

**EI<sub>2</sub>30**

## Additional performance characteristics

(with corresponding equipment, see page 28)

**RS**

**Smoke-tight**  
With retractable bottom seal (without top part)

**S<sub>200</sub>**

**Acoustic rating**  
Up to 32 dB with retractable bottom seal

**dB**

Up to 42 dB with double rebate frame

**RC 2**

**Break-in-resistant**  
RC 2 (STU 30)

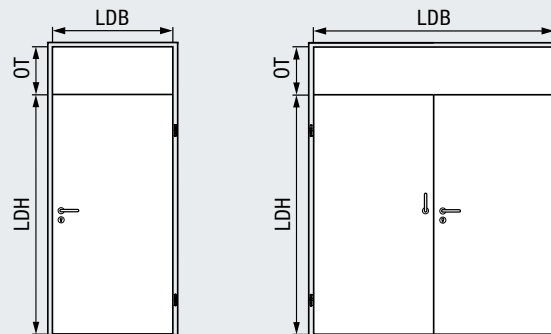
**RC 3**

**Break-in-resistant**  
RC 3 (STU 30)

## Optional extras

Frame types Page 16

Glazing variants Page 50



## Stainless steel fire-rated door

	Single-leaf	Double-leaf
<b>Door leaf</b>	62 mm	62 mm
<b>Sheet thickness</b>	Min. 0.80 mm	Min. 0.80 mm
<b>Rebate type</b>	<b>STS 30:</b> Flush <b>STU 30:</b> Thick rebate	<b>STS 30:</b> Flush <b>STU 30:</b> Thick rebate

## Fitting in

Brickwork	≥ 115 mm	≥ 115 mm
Concrete	≥ 100 mm	≥ 100 mm
Gas concrete	≥ 200 mm	≥ 200 mm
Partition walls	≥ 100 mm	≥ 100 mm
Cladded steel supports / girders	≥ F60 A	≥ F60 A

STS 30 / STU 30 (stainless steel)	Single-leaf		Double-leaf	
	Width	Height	Width	Height
<b>Size range</b>				
<b>Clear passage dimension (LDB / LDH)</b>	585 – 1290	1730 – 2800	1335 – 2525	1730 – 2800
<b>Clear passage dimension Traffic leaf</b>			591 – 1250	
Top part height (OT)		300 – 1000		300 – 1000
Overall frame dimension for block frame	695 – 1520	1785 – 2915	1445 – 2755	1785 – 2915
Overall frame dimension for block frame with top part		2030 – 3500		2030 – 3500
Nominal size for corner / profile frame	625 – 1370	1750 – 2840	1375 – 2605	1750 – 2840
Nominal size for corner / profile frame with top part		2030 – 3500		2030 – 3500

Overall frame dimensions:

Smallest dimension in combination with block frame depth 55 mm (e.g. 62 / 55, 95 / 55), corner frame depth 20 mm  
Largest dimension in combination with block frame depth 115 mm, corner frame depth 40 mm, size ranges in versions with RC 2, RC 3, dB or RS may deviate.

The information for the clear passage dimension refers to the frame opening.  
This dimension may be reduced if the leaf is opened 90° or with door fittings.

All information in accordance with approval and technical feasibility. Actual dimensions may differ depending on the frame type, frame depth, or width-height ratio of the door.

All dimensions in mm

# T90 / EI<sub>2</sub>90 steel fire-rated door STS 90 / STU 90

Single- and double-leaf, flush-fitting and thick rebate version



**STS 90**  
Flush



**STU 90**  
Thick rebate

## Main feature

**T90**

**T90 / EI<sub>2</sub>90 fire-proof**  
With fire protection insert

**EI<sub>2</sub>90**

## Additional performance characteristics

(with corresponding equipment, see page 28)

**RS**

**Smoke-tight**  
With retractable bottom seal (without top part)

**S<sub>200</sub>**

**dB**

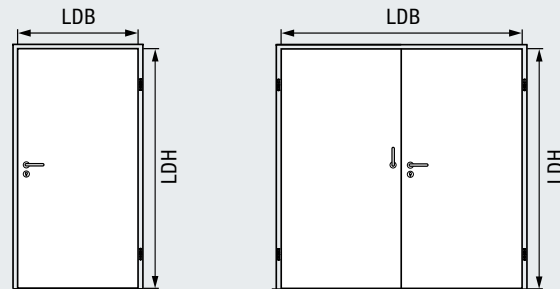
**Acoustic rating**  
Up to 37 dB with retractable bottom seal

**RC 2**

**Break-in-resistant**  
RC 2 (STU 90)

**RC 3**

**Break-in-resistant**  
RC 3 (STU 90)



## Steel fire-rated door

### Door leaf

62 mm

62 mm

### Sheet thickness

1.0 mm

1.0 mm

### Rebate type

**STS 90:**  
Flush  
**STU 90:**  
Thick rebate

**STS 90:**  
Flush  
**STU 90:**  
Thick rebate

## Fitting in

Brickwork	≥ 175 mm	≥ 175 mm
Concrete	≥ 140 mm	≥ 140 mm
Gas concrete	≥ 200 mm	≥ 200 mm
Partition walls	≥ 150 mm	≥ 150 mm
Cladded steel supports / girders	≥ F90 A	≥ F90 A

STS 90 / STU 90 (galvanized)	Single-leaf		Double-leaf	
	Width	Height	Width	Height
<b>Clear passage dimension (LDB / LDH)</b>	585 – 1300	1690 – 2800	1019 – 2600	1690 – 2800
<b>Clear passage dimension Traffic leaf</b>			511 – 1309	
Overall frame dimension for block frame	695 – 1530	1745 – 2915	1129 – 2830	1745 – 2915
Nominal size for corner / profile frame	625 – 1380	1710 – 2840	1059 – 2680	1710 – 2840

Overall frame dimensions:

Smallest dimension in combination with block frame depth 55 mm (e.g. 62 / 55, 95 / 55), corner frame depth 20 mm  
Largest dimension in combination with block frame depth 115 mm, corner frame depth 40 mm, size ranges in versions with RC 2, RC 3, dB or RS may deviate.

The information for the clear passage dimension refers to the frame opening.  
This dimension may be reduced if the leaf is opened 90° or with door fittings.

All information in accordance with approval and technical feasibility. Actual dimensions may differ depending on the frame type, frame depth, or width-height ratio of the door.

## Optional extras

Frame types Page 16

Glazing variants Page 50

# T90 / EI<sub>2</sub>90 stainless steel fire-rated door STS 90 / STU 90

Single- and double-leaf, flush-fitting and thick rebate version



**STS 90**  
Flush



**STU 90**  
Thick rebate

## Main feature

**T90**

**T90 / EI<sub>2</sub>90 fire-proof**  
With fire protection insert

**EI<sub>2</sub>90**

## Additional performance characteristics

(with corresponding equipment, see page 28)

**RS**

**Smoke-tight**  
With retractable bottom seal (without top part)

**S<sub>200</sub>**

**dB**

**Acoustic rating**  
Up to 37 dB with retractable bottom seal

**RC 2**

**Break-in-resistant**  
RC 2 (STU 90)

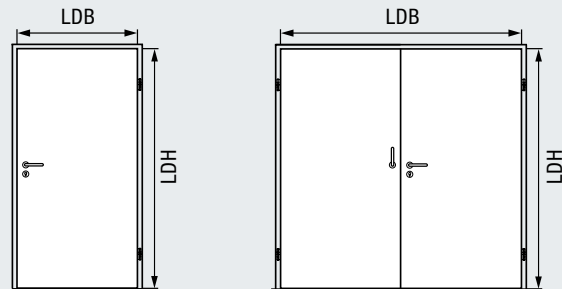
**RC 3**

**Break-in-resistant**  
RC 3 (STU 90)

## Optional extras

Frame types Page 16

Glazing variants Page 50



## Stainless steel fire-rated door

	Single-leaf	Double-leaf
<b>Door leaf</b>	62 mm	62 mm
<b>Sheet thickness</b>	Min. 0.80 mm	Min. 0.80 mm
<b>Rebate type</b>	<b>STS 90:</b> Flush <b>STU 90:</b> Thick rebate	<b>STS 90:</b> Flush <b>STU 90:</b> Thick rebate

## Fitting in

Brickwork	≥ 175 mm	≥ 175 mm
Concrete	≥ 140 mm	≥ 140 mm
Gas concrete	≥ 200 mm	≥ 200 mm
Partition walls	≥ 150 mm	≥ 150 mm
Cladded steel supports / girders	≥ F90 A	≥ F90 A

STS 90 / STU 90 (stainless steel)	Single-leaf		Double-leaf	
	Width	Height	Width	Height
<b>Clear passage dimension (LDB / LDH)</b>	585 – 1290	1690 – 2800	1019 – 2525	1690 – 2800
<b>Clear passage dimension Traffic leaf</b>			511 – 1250	
Overall frame dimension for block frame	695 – 1520	1745 – 2915	1129 – 2755	1745 – 2915
Nominal size for corner / profile frame	625 – 1370	1710 – 2840	1059 – 2605	1710 – 2840

Overall frame dimensions:

Smallest dimension in combination with block frame depth 55 mm (e.g. 62 / 55, 95 / 55), corner frame depth 20 mm  
Largest dimension in combination with block frame depth 115 mm, corner frame depth 40 mm, size ranges in versions with RC 2, RC 3, dB or RS may deviate.

The information for the clear passage dimension refers to the frame opening.  
This dimension may be reduced if the leaf is opened 90° or with door fittings.

All information in accordance with approval and technical feasibility. Actual dimensions may differ depending on the frame type, frame depth, or width-height ratio of the door.

All dimensions in mm

# Escape route sliding door system combination with steel / stainless steel fire-rated doors ASTS / FR

The alternative solution for passages with fire protection requirements



**T30** Fire-retarding  
DIN 4102


**T90** Fire-proof  
DIN 4102


**RS** Smoke-tight  
DIN 18095

**S<sub>200</sub>**

**dB** Acoustic rating  
DIN EN ISO 717-7

 Recommended for barrier-free construction

 Personal safety  
Acc. to EN 16005

 Certified as escape door

 **Stainless steel**

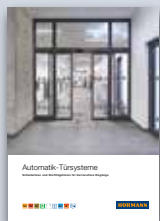
**At a glance:**

**Automatic sliding door**

- Delicate look with a narrow aluminium profile frame
- Low operator height of only 100 mm
- Insulated glazing with safety glass
- Safe, monitored handling with sensor monitoring
- Quiet operation thanks to a rubber-mounted track and large rollers
- High-performance for high opening frequencies

**Steel and stainless steel fire-rated door**

- 62 mm door leaf, flush-fitting, fully bonded composite construction
- Opening angle of up to 180° possible



More information can be found in the “Automatic door systems” brochure.



Viewed side of fire-rated and smoke-tight door (daytime operation)



Viewed side of automatic sliding door

# Steel smoke-tight door STS / STU

Single- and double-leaf, flush-fitting and thick rebate version



**STS**  
Flush



**STU**  
Thick rebate

## Main feature

**Smoke-tight**

**RS**

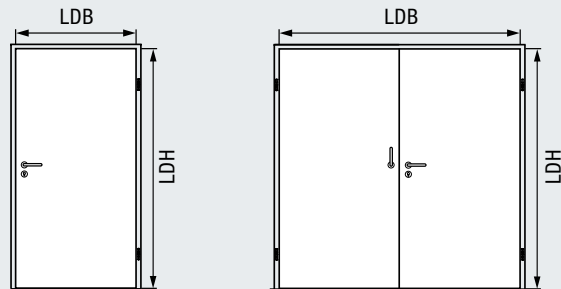
**S<sub>200</sub>**

## Acoustic rating

Up to 32 dB

**dB**

Up to 42 dB with double rebate frame



## Steel smoke-tight door

**Door leaf**

## Single-leaf

62 mm

## Double-leaf

62 mm

**Sheet thickness**

1.0 mm

1.0 mm

**Rebate type**

**STS:**  
Flush  
**STU:**  
Thick rebate

**STS:**  
Flush  
**STU:**  
Thick rebate

## Fitting in

Brickwork	≥ 115 mm	≥ 115 mm
Concrete	≥ 100 mm	≥ 100 mm
Gas concrete	≥ 150 mm	≥ 150 mm
Partition walls	≥ 100 mm	≥ 100 mm
Cladded steel supports / girders	≥ F30 A	≥ F30 A

STS / STU (galvanized)	Single-leaf		Double-leaf	
	Width	Height	Width	Height
<b>Clear passage dimension (LDB / LDH)</b>	585 – 1300	1730 – 2800	1335 – 2600	1730 – 2800
<b>Clear passage dimension Traffic leaf</b>			591 – 1309	
Overall frame dimension for block frame	695 – 1530	1785 – 2915	1445 – 2830	1785 – 2915
Nominal size for corner / profile frame	625 – 1380	1750 – 2840	1375 – 2680	1750 – 2840

Overall frame dimensions:

Smallest dimension in combination with block frame depth 55 mm (e.g. 62 / 55, 95 / 55), corner frame depth 20 mm  
Largest dimension in combination with block frame depth 115 mm, corner frame depth 40 mm, size ranges in versions with RC 2, RC 3, dB or RS may deviate.

The information for the clear passage dimension refers to the frame opening.  
This dimension may be reduced if the leaf is opened 90° or with door fittings.

All information in accordance with approval and technical feasibility. Actual dimensions may differ depending on the frame type, frame depth, or width-height ratio of the door.

## Optional extras

Frame types Page 16

Glazing variants Page 50

# Stainless steel smoke-tight door STS / STU

Single- and double-leaf, flush-fitting and thick rebate version



**STS**  
Flush



**STU**  
Thick rebate

## Main feature

Smoke-tight

RS

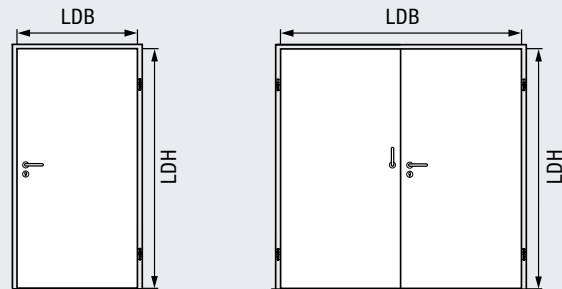
S<sub>200</sub>

## Acoustic rating

Up to 32 dB

dB

Up to 42 dB with double rebate frame



## Stainless steel smoke-tight door

	Single-leaf	Double-leaf
<b>Door leaf</b>	62 mm	62 mm
<b>Sheet thickness</b>	Min. 0.8 mm	Min. 0.8 mm
<b>Rebate type</b>	<b>STS:</b> Flush <b>STU:</b> Thick rebate	<b>STS:</b> Flush <b>STU:</b> Thick rebate

## Fitting in

	Single-leaf	Double-leaf
Brickwork	≥ 115 mm	≥ 115 mm
Concrete	≥ 100 mm	≥ 100 mm
Gas concrete	≥ 150 mm	≥ 150 mm
Partition walls	≥ 100 mm	≥ 100 mm
Cladded steel supports / girders	≥ F30 A	≥ F30 A

STS / STU (stainless steel)	Single-leaf		Double-leaf	
	Width	Height	Width	Height
<b>Size range</b>				
<b>Clear passage dimension (LDB / LDH)</b>	585 – 1290	1730 – 2800	1335 – 2525	1730 – 2800
<b>Clear passage dimension Traffic leaf</b>			591 – 1250	
Overall frame dimension for block frame	695 – 1520	1785 – 2915	1445 – 2755	1785 – 2915
Nominal size for corner / profile frame	625 – 1370	1750 – 2840	1375 – 2605	1750 – 2840

Overall frame dimensions:

Smallest dimension in combination with block frame depth 55 mm (e.g. 62 / 55, 95 / 55), corner frame depth 20 mm  
Largest dimension in combination with block frame depth 115 mm, corner frame depth 40 mm, size ranges in versions with RC 2, RC 3, dB or RS may deviate.

The information for the clear passage dimension refers to the frame opening.  
This dimension may be reduced if the leaf is opened 90° or with door fittings.

All information in accordance with approval and technical feasibility. Actual dimensions may differ depending on the frame type, frame depth, or width-height ratio of the door.

## Optional extras

Frame types	Page 16
Glazing variants	Page 50

All dimensions in mm

# RC 2 / RC 3 steel security door STU

## Single- and double-leaf, thick rebate version



**STU**  
Flush-fitting in combination with a double rebate frame



**STU**  
Thick rebate

### Main feature

**RC 2**

**Break-in-resistant**  
RC 2

**RC 3**

**Break-in-resistant**  
RC 3

### Additional performance characteristics

(with corresponding equipment, see page 28)

**T30**

**T30 / EI<sub>2</sub>30**  
**fire-retarding**  
With fire protection insert

**EI<sub>2</sub>30**

**T90**

**T90 / EI<sub>2</sub>90 fire-proof**  
With fire protection insert

**EI<sub>2</sub>90**

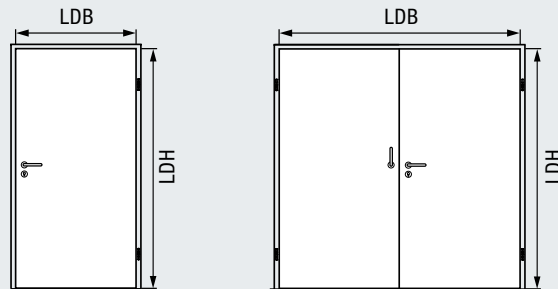
**RS**

**Smoke-tight**  
With retractable bottom seal (without top part)

**S<sub>200</sub>**

**dB**

**Acoustic rating**  
Up to 37 dB with retractable bottom seal



### Steel security door

#### Door leaf

### Single-leaf

62 mm

### Double-leaf

62 mm

#### Sheet thickness

1.0 mm

1.0 mm

#### Rebate type

**STU:**  
Thick rebate

**STU:**  
Thick rebate

#### Fitting in

Brickwork	•	•
Concrete	•	•
Gas concrete	•	•
Cladded steel supports / girders	•	•

### With block frames, the attack side must be on the hinge side!

With corner and profile frames, the attack side must be on the hinge side or the fixing points in the rebate must be secured on site with a welding spot.

STU RC 2 (galvanized)	Single-leaf		Double-leaf	
	Width	Height	Width	Height
<b>Size range</b>	585 – 1300	1690 – 2600	1020 – 2600	1690 – 2600
<b>Clear passage dimension (LDB / LDH)</b>				
<b>Clear passage dimension Traffic leaf</b>			511 – 1286	
Overall frame dimension for block frame	695 – 1500	1745 – 2715	1120 – 2800	1745 – 2715
Nominal size for corner / profile frame	625 – 1380	1710 – 2640	1060 – 2680	1710 – 2640
STU RC 3 (galvanized)	Single-leaf		Double-leaf	
	Width	Height	Width	Height
<b>Size range</b>	585 – 1300	1690 – 2400	1020 – 2600	1690 – 2400
<b>Clear passage dimension (LDB / LDH)</b>				
<b>Clear passage dimension Traffic leaf</b>			511 – 1286	
Overall frame dimension for block frame	695 – 1500	1745 – 2515	1130 – 2800	1745 – 2500
Nominal size for corner / profile frame	625 – 1380	1710 – 2440	1060 – 2680	1710 – 2440

#### Overall frame dimensions:

Smallest dimension in combination with block frame depth 55 mm (e.g. 62 / 55, 95 / 55), corner frame depth 20 mm

Largest dimension in combination with block frame depth 115 mm, corner frame depth 40 mm.

The information for the clear passage dimension refers to the frame opening.

This dimension may be reduced if the leaf is opened 90° or with door fittings.

All information in accordance with approval and technical feasibility. Actual dimensions may differ depending on the frame type, frame depth, or width-height ratio of the door.

### Optional extras

Frame types Page 16

Glazing variants Page 50



# RC 2 / RC 3 stainless steel security door STU



Single- and double-leaf, thick rebate version



**STU**  
Flush-fitting in combination with a double rebate frame



**STU**  
Thick rebate

## Main feature

**RC 2**

**Break-in-resistant**  
RC 2

**RC 3**

**Break-in-resistant**  
RC 3

## Additional performance characteristics

(with corresponding equipment, see page 28)

**T30**

**T30 / EI<sub>2</sub>30 fire-retarding**  
With fire protection insert

**EI<sub>2</sub>30**

**T90**

**T90 / EI<sub>2</sub>90 fire-proof**  
With fire protection insert

**EI<sub>2</sub>90**

**RS**

**Smoke-tight**  
With retractable bottom seal (without top part)

**S<sub>200</sub>**

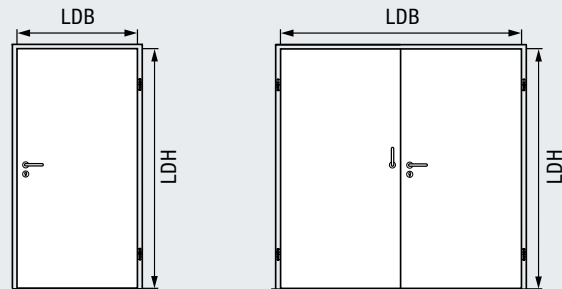
**dB**

**Acoustic rating**  
Up to 37 dB with retractable bottom seal

## Optional extras

Frame types Page 16

Glazing variants Page 50



## Stainless steel security door Single-leaf Double-leaf

<b>Door leaf</b>	62 mm	62 mm
<b>Sheet thickness</b>	Min. 0.8 mm	Min. 0.8 mm
<b>Rebate type</b>	<b>STU:</b> Thick rebate	<b>STU:</b> Thick rebate

## Fitting in

Brickwork	•	•
Concrete	•	•
Gas concrete	•	•
Cladded steel supports / girders	•	•

## With block frames, the attack side must be on the hinge side!

With corner and profile frames, the attack side must be on the hinge side or the fixing points in the rebate must be secured on site with a welding spot.

STU RC 2 (stainless steel)	Single-leaf		Double-leaf	
	Width	Height	Width	Height
<b>Size range</b>	585 – 1300	1690 – 2600	1020 – 2600	1690 – 2600
<b>Clear passage dimension (LDB / LDH)</b>			511 – 1286	
<b>Clear passage dimension Traffic leaf</b>				
Overall frame dimension for block frame	695 – 1500	1745 – 2715	1120 – 2800	1745 – 2715
Nominal size for corner / profile frame	625 – 1380	1710 – 2640	1060 – 2680	1710 – 2640
STU RC 3 (stainless steel)	Single-leaf		Double-leaf	
	Width	Height	Width	Height
<b>Size range</b>	585 – 1300	1690 – 2400	1020 – 2600	1690 – 2400
<b>Clear passage dimension (LDB / LDH)</b>			511 – 1286	
<b>Clear passage dimension Traffic leaf</b>				
Overall frame dimension for block frame	695 – 1500	1745 – 2515	1130 – 2800	1745 – 2500
Nominal size for corner / profile frame	625 – 1380	1710 – 2440	1060 – 2680	1710 – 2440

## Overall frame dimensions:

Smallest dimension in combination with block frame depth 55 mm (e.g. 62 / 55, 95 / 55), corner frame depth 20 mm

Largest dimension in combination with block frame depth 115 mm, corner frame depth 40 mm.

The information for the clear passage dimension refers to the frame opening.

This dimension may be reduced if the leaf is opened 90° or with door fittings.

All information in accordance with approval and technical feasibility. Actual dimensions may differ depending on the frame type, frame depth, or width-height ratio of the door.

All dimensions in mm

## Tower 185, Frankfurt

Architect: Christoph Mäckler Architekten, Frankfurt am Main



Pre-certified by

**DGNB**

Deutsche Gesellschaft für Nachhaltiges Bauen e.V.  
German Sustainable Building Council



### Hörmann products

- T30 steel fire-rated doors H3
- T90 steel fire-rated doors H16
- Steel smoke-tight doors RS 55
- Multi-purpose doors D65
- Multi-purpose doors D55
- EI<sub>2</sub>30 stainless steel fire-rated doors STS / STU



# Steel multi-purpose door STS / STU

Single- and double-leaf, flush-fitting and thick rebate version



**STS**  
Flush



**STU**  
Thick rebate

## Main feature

**MZ**

**Multi-purpose door**  
With mineral wool infill

## Additional performance characteristics

(with corresponding equipment, see page 28)

**RS**

**Smoke-tight**  
With retractable bottom seal (without top part)

**S<sub>200</sub>**

**Acoustic rating**  
Up to 32 dB with retractable bottom seal  
Up to 42 dB with double rebate frame

**dB**

**RC 2**

**Break-in-resistant**  
RC 2  
(STU, without top part)

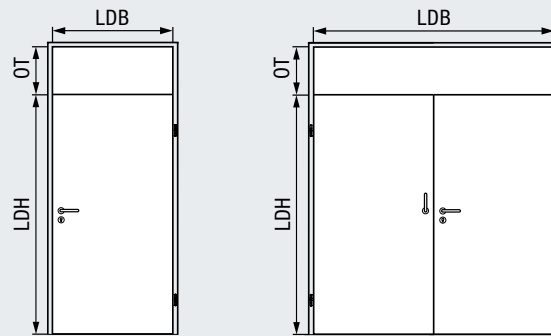
**RC 3**

**Break-in-resistant**  
RC 3  
(STU, without top part)

## Optional extras

Frame types Page 16

Glazing variants Page 50



## Steel multi-purpose door

	Single-leaf	Double-leaf
<b>Door leaf</b>	62 mm	62 mm
<b>Sheet thickness</b>	1.0 mm	1.0 mm
<b>Rebate type</b>	<b>STS:</b> Flush <b>STU:</b> Thick rebate	<b>STS:</b> Flush <b>STU:</b> Thick rebate

## Fitting in

Brickwork	•	•
Concrete	•	•
Gas concrete	•	•
Partition walls	•	•
Steel supports / girders	•	•

## Door structure

In the thermally insulated and acoustic-rated version, the door leaf consists of flush and fully bonded mineral wool. In the standard version, the door leaf consists of a flush and fully bonded paper honeycomb.

STS / STU (galvanized)	Single-leaf		Double-leaf	
	Width	Height	Width	Height
<b>Size range</b>				
<b>Clear passage dimension (LDB / LDH)</b>	500 – 1465	640 – 3120	1000 – 2940	640 – 3120
<b>Clear passage dimension Traffic leaf</b>			500 – 1455	
Top part height (OT)		300- 1000		300 – 1000
Overall frame dimension for block frame	610 – 1695	695 – 3235	1110 – 3170	695 – 3235
Overall frame dimension for block frame with top part		940 – 3500		940 – 3500
Nominal size for corner / profile frame	540 – 1545	660 – 3160	1040 – 3020	660 – 3160
Nominal size for corner / profile frame with top part		940 – 3500		940 – 3500

Overall frame dimensions:

Smallest dimension in combination with block frame depth 55 mm (e.g. 62 / 55, 95 / 55), corner frame depth 20 mm  
Largest dimension in combination with block frame depth 115 mm, corner frame depth 40 mm, size ranges in versions with RC 2, RC 3, dB or RS may deviate.

The information for the clear passage dimension refers to the frame opening.  
This dimension may be reduced if the leaf is opened 90° or with door fittings.

All information in accordance with approval and technical feasibility. Actual dimensions may differ depending on the frame type, frame depth, or width-height ratio of the door.

All dimensions in mm

# Stainless steel multi-purpose door STS / STU

Single- and double-leaf, flush-fitting and thick rebate version



**STS**  
Flush



**STU**  
Thick rebate

## Main feature

**MZ**

**Multi-purpose door**  
With mineral wool infill

## Additional performance characteristics

(with corresponding equipment, see page 28)

**RS**

**Smoke-tight**  
With retractable bottom seal (without top part)

**S<sub>200</sub>**

**dB**

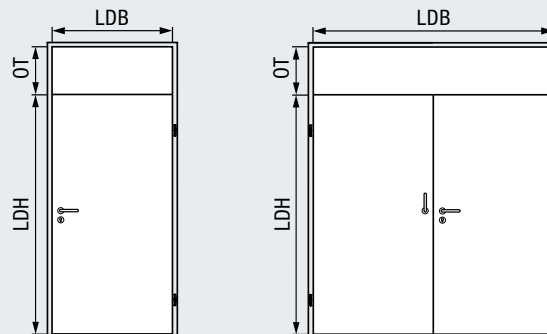
**Acoustic rating**  
Up to 32 dB with retractable bottom seal, up to 42 dB with double rebate frame

**RC 2**

**Break-in-resistant**  
RC 2  
(STU, without top part)

**RC 3**

**Break-in-resistant**  
RC 3  
(STU, without top part)



## Stainless steel multi-purpose door

	Single-leaf	Double-leaf
<b>Door leaf</b>	62 mm	62 mm
<b>Sheet thickness</b>	0.8 mm	0.8 mm
<b>Rebate type</b>	<b>STS:</b> Flush <b>STU:</b> Thick rebate	<b>STS:</b> Flush <b>STU:</b> Thick rebate

## Fitting in

Brickwork	•	•
Concrete	•	•
Gas concrete	•	•
Partition walls	•	•
Steel supports / girders	•	•

STS / STU (stainless steel)	Single-leaf		Double-leaf	
	Width	Height	Width	Height
<b>Size range</b>				
<b>Clear passage dimension (LDB / LDH)</b>	500 – 1290	640 – 2800	1000 – 2525	640 – 2800
<b>Clear passage dimension Traffic leaf</b>			500 – 1250	
Top part height (OT)		300- 1000		300 – 1000
Overall frame dimension for block frame	610 – 1520	695 – 2915	1110 – 2755	695 – 2915
Overall frame dimension for block frame with top part		940 – 3500		940 – 3500
Nominal size for corner / profile frame	540 – 1370	660 – 2840	1040 – 2605	660 – 2840
Nominal size for corner / profile frame with top part		940 – 3500		940 – 3500

## Overall frame dimensions:

Smallest dimension in combination with block frame depth 55 mm (e.g. 62 / 55, 95 / 55), corner frame depth 20 mm  
Largest dimension in combination with block frame depth 115 mm, corner frame depth 40 mm, size ranges in versions with RC 2, RC 3, dB or RS may deviate.

The information for the clear passage dimension refers to the frame opening.  
This dimension may be reduced if the leaf is opened 90° or with door fittings.

All information in accordance with approval and technical feasibility. Actual dimensions may differ depending on the frame type, frame depth, or width-height ratio of the door.

## Optional extras

Frame types	Page 16
Glazing variants	Page 50

# Stainless steel technical room door Aqua STS / STU

Single-leaf, flush, fully bonded



**STS**  
Flush



**STU**  
Thick rebate

## Main function

**MZ-A**

**Stainless steel technical room door Aqua**

With water-resistant PU infill

## Additional performance characteristics

(with corresponding equipment, see page 28)

**RS**

## Smoke-tight

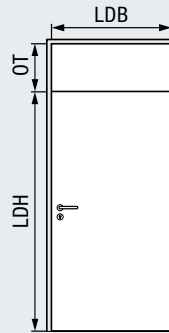
With retractable bottom seal (without top part)

**S<sub>200</sub>**

## Break-in-resistant

**RC 2**

RC 2  
(STU, without top part)



## Stainless steel technical room door Aqua

## Single-leaf

<b>Door leaf</b>	62 mm
<b>Sheet thickness</b>	0.8 mm
<b>Rebate type</b>	<b>STS:</b> Flush <b>STU:</b> Thick rebate

## Fitting in

Brickwork	•
Concrete	•
Gas concrete	•
Partition walls	•
Steel supports / girders	•

## Glazing only with surface-mounted glazing bead

STS / STU (stainless steel)	Single-leaf	
	Width	Height
<b>Clear passage dimension (LDB / LDH)</b>	500 – 1290	640 – 2800
<b>Clear passage dimension Traffic leaf</b>		
Top part height (OT)		300- 1000
Overall frame dimension for block frame	610 – 1520	695 – 2915
Overall frame dimension for block frame with top part		940 – 3500
Nominal size for corner / profile frame	540 – 1370	660 – 2840
Nominal size for corner / profile frame with top part		940 – 3500

Overall frame dimensions:

Smallest dimension in combination with block frame depth 55 mm (e.g. 62 / 55, 95 / 55), corner frame depth 20 mm

Largest dimension in combination with block frame depth 115 mm, corner frame depth 40 mm

The information for the clear passage dimension refers to the frame opening.

This dimension may be reduced if the leaf is opened 90° or with door fittings.

All information in accordance with approval and technical feasibility. Actual dimensions may differ depending on the frame type, frame depth, or width-height ratio of the door.

## Optional extras

Frame types	Page 16
Glazing variants	Page 50

All dimensions in mm

# Steel / stainless steel double-action door SPT MZ

for canteens, bars, restaurants and kitchens



# Steel / stainless steel double-action door SPT MZ

Single- and double-leaf, flush, fully bonded

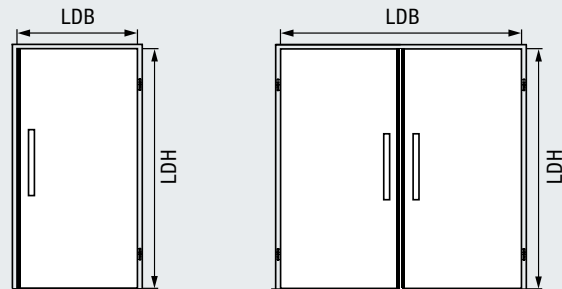


**SPT MZ**  
62 mm door leaf can be opened from both sides

## Main feature

**MZ**

**Multi-purpose door**  
With mineral wool infill



### Double-action door

**Door leaf**

### Single-leaf

62 mm

### Double-leaf

62 mm

**Sheet thickness**

1.0 mm (steel)  
0.8 mm (stainless steel)

1.0 mm (steel)  
0.8 mm (stainless steel)

**Rebate type**

Door leaf can be opened from both sides

Door leaf can be opened from both sides

### Equipment

- Finger trap protection profile over entire leaf height (opposite hinge side)
- Hand push plate made of stainless steel V2 A

### Fitting in

Brickwork	•	•
Concrete	•	•
Gas concrete	•	•
Partition walls	•	•
Steel supports / girders	•	•

### Glazing only with surface-mounted glazing bead

STS / STU (stainless steel)	Single-leaf		Double-leaf	
Overall frame dimension of corner frame or corner frame with counter frame	875 – 1250	1800 – 2500	1700 – 2500	1800 – 2500

Overall frame dimensions:

Smallest dimension in combination with block frame depth 55 mm (e.g. 62 / 55, 95 / 55), corner frame depth 20 mm

Largest dimension in combination with block frame depth 115 mm, corner frame depth 40 mm.

The information for the clear passage dimension refers to the frame opening.

This dimension may be reduced if the leaf is opened 90° or with door fittings.

All information in accordance with approval and technical feasibility. Actual dimensions may differ depending on the frame type, frame depth, or width-height ratio of the door.

### Optional extras

Frame types Page 16

Glazing variants Page 50

All dimensions in mm

# Steel multi-purpose door for outdoor use

Ideal for hall construction





# Steel multi-purpose door for outdoor use STU

Single- and double-leaf, thick rebate version



**STU**  
Thick rebate

## Main feature

**MZ**

**Multi-purpose door**  
With mineral wool infill



**Use in exterior walls**  
Labelled according to  
DIN EN 14351-1

## Additional performance characteristics

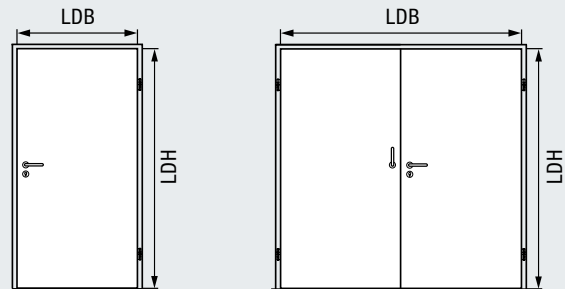
(with corresponding equipment, see page 28)

**RC 2**

**Break-in-resistant**  
RC 2  
(without top part)

**RC 3**

**Break-in-resistant**  
RC 3  
(without top part)



## Steel multi-purpose door

	Single-leaf	Double-leaf
<b>Door leaf</b>	62 mm	62 mm
<b>Sheet thickness</b>	1.0 mm	1.0 mm
<b>Rebate type</b>	<b>STU:</b> Thick rebate	<b>STU:</b> Thick rebate

## Fitting in

Brickwork	•	•
Concrete	•	•
Gas concrete	•	•
Steel supports / girders	•	•

## Extra characteristics / performance characteristics

<b>Thermal insulation <math>U_D</math></b>	1.8 W/(m <sup>2</sup> ·K)*	1.7 W/(m <sup>2</sup> ·K)*
<b>Acoustic rating category</b>	II III	
	33 dB	
Wind load	Class C2 – C3	Class B1 – C1
Water tightness under heavy rain	Class 3A – 6A*	Class 5A*
Air permeability	Class 2 – 3	Class 2
Operating forces	Class 5	
Differential climate	1(e) – 2(d)	

\* Water tightness under heavy rain only with threshold profile with seal

## Door structure

In the thermally insulated and acoustic-rated version, the door leaf consists of flush and fully bonded mineral wool. In the standard version, the door leaf consists of a flush and fully bonded paper honeycomb.

STU (galvanized)	Single-leaf		Double-leaf	
	Width	Height	Width	Height
<b>Clear passage dimension (LDB / LDH)</b>	500 – 1465	640 – 3120	1000 – 2940	640 – 3120
<b>Clear passage dimension Traffic leaf</b>			500 – 1455	
Overall frame dimension for block frame	610 – 1695	695 – 3235	1110 – 3170	695 – 3235
Nominal size for corner / profile frame	540 – 1545	660 – 3160	1040 – 3020	660 – 3160

Overall frame dimensions:

Smallest dimension in combination with block frame depth 55 mm (e.g. 62 / 55, 95 / 55), corner frame depth 20 mm  
Largest dimension in combination with block frame depth 115 mm, corner frame depth 40 mm, size ranges in versions with RC 2, RC 3, dB or RS may deviate.

The information for the clear passage dimension refers to the frame opening.  
This dimension may be reduced if the leaf is opened 90° or with door fittings.

All information in accordance with approval and technical feasibility. Actual dimensions may differ depending on the frame type, frame depth, or width-height ratio of the door.

## Optional extras

Frame types	Page 16
Glazing variants	Page 50

All dimensions in mm

# More transparency with glazing

## Glazing variants in steel and stainless steel



Surface-mounted steel profile in Grey white, RAL 9002 (standard)



Flush-fitting steel / stainless steel profile V2 A, 1.4301

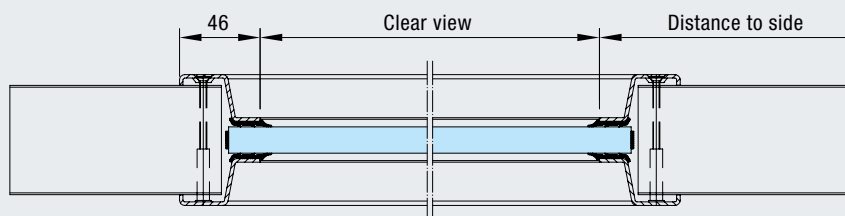


Flush-fitting steel / stainless steel profile V2 A, 1.4301

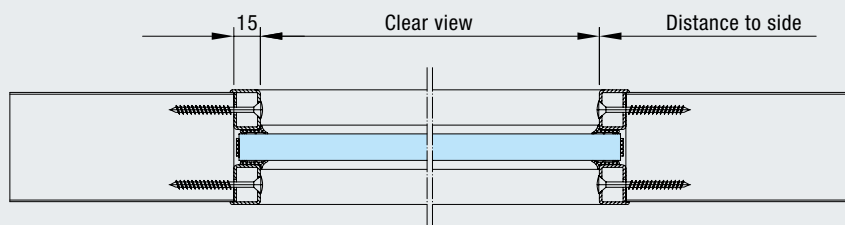
### Steel and stainless steel glazing frames

As standard, glazing beads are made of galvanized steel and come with a powder-coated primer in one of 7 preferred colours or RAL to choose to match the door surface finish.

On request, profiles are also available in brushed stainless steel V2 A, 1.4301 or in a colour different than that of the door. The flush glazing beads are particularly suited for sophisticated architectural solutions.



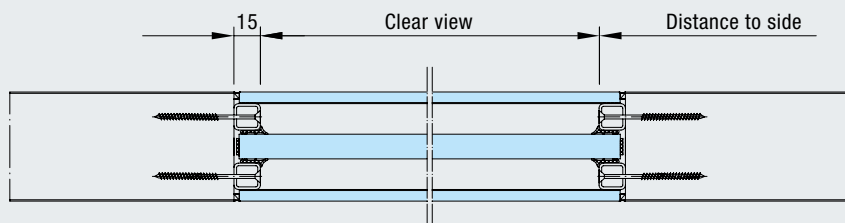
Glazing with surface-mounted steel profile without visible screws on the hinge side for rectangular and round glazing (standard)



Glazing with flush steel profile for rectangular glazing (only possible for MZ and EI<sub>2,30</sub> doors)

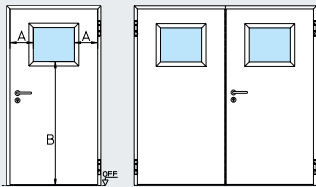
### Flush-fitting glazing

The flush-fitting glazing for steel and stainless steel doors STS / STU is especially suitable for use in clean rooms. The centrally fitted fire-proof glass is flush-fitting and wet-glazed with two additional safety glasses.

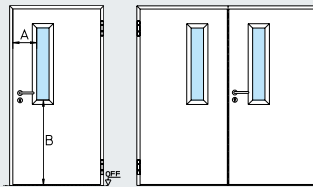


Flush-fitting rectangular glazing for clean rooms (only possible with MZ and EI<sub>2,30</sub>\* doors)

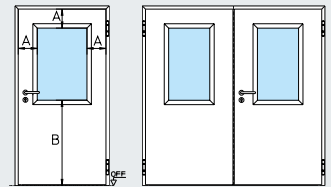
Glazing is supplied in a standard size that matches the door size and provides for an attractive and uniform appearance with its narrow profiles. Lever handles do not disturb the line of sight through the glass.



**Glazing view 0**  
Distance to side A: 270 mm  
Bottom section height B: 1400 mm



**Glazing view 1**  
Distance to side A: 270 mm  
Bottom section height B: 965 mm



**Glazing view 2**  
Distance to side A: 270 mm  
Bottom section height B: 965 mm

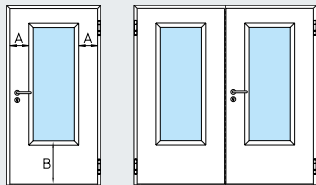
Standard door leaf width BR	View 0	
	Clear view	Min. door leaf width
1000	465 × 385 / 635 <sup>(1/2)</sup>	895
1062,5	528 × 385 / 635 <sup>(1/2)</sup>	958

<sup>(1)</sup> From BR height 2250 mm  
<sup>(2)</sup> Available as flush-fitting glazing

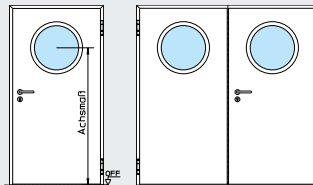
View 1	
Clear view	Min. door leaf width
140 × 815	570

Figure 2	
Clear view	Min. door leaf width
215 × 815	645
340 × 815 <sup>(1)</sup>	770
465 × 815 <sup>(1)</sup>	895
528 × 815 <sup>(1)</sup>	958
590 × 815	1020

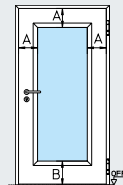
<sup>(1)</sup> Available as flush-fitting glazing



**Glazing view 3**  
Distance to side A: 270 mm  
Bottom section height B: 500 mm



**Round glazing**  
Axis dimension: bottom edge of door leaf to centre of cut-out  
1550 mm



**Glazing to choose**  
Distance to side A: 215 mm  
Bottom section height B: see table below

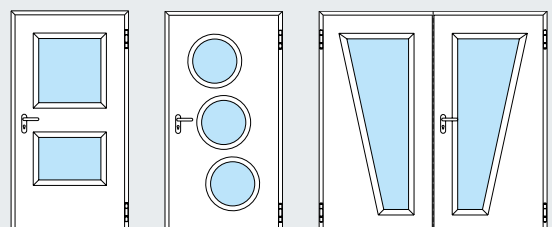
Standard door leaf width BR	View 3	
	Clear view	Min. door leaf width
750	140 × 1280	645
675	140 × 1280	570
875	340 × 1280	770
1000	465 × 1280	895
1062,5	528 × 1280	958
1125	590 × 1280	1020
1250	715 × 1280	1145

Round glazing	
Clear view	Min. door leaf width
∅ 300	730
∅ 400	830
∅ 500	930

Glazing to choose		
Door type	Bottom section height B	Max. clear view
STS 30	Min. 300	879 × 2371
STS 90	Min. 715	476 × 976
STU 30	Min. 300	879 × 2371
STU 90	Min. 715	476 × 976
STS / STU	Min. 215	1052 × 2691

**Special glazing available on request**

In addition to the glazing referred to above we also supply special single- or multi-pane glazing in various forms and arrangements within the permitted distances to the sides, bottom section heights and glazing sizes.

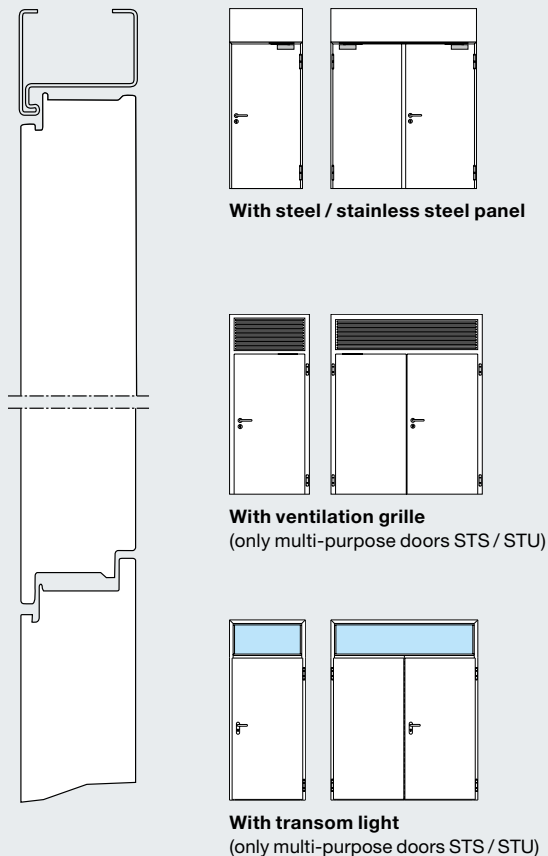


# Room-high door view

## Through fixed, flush-fitting top parts

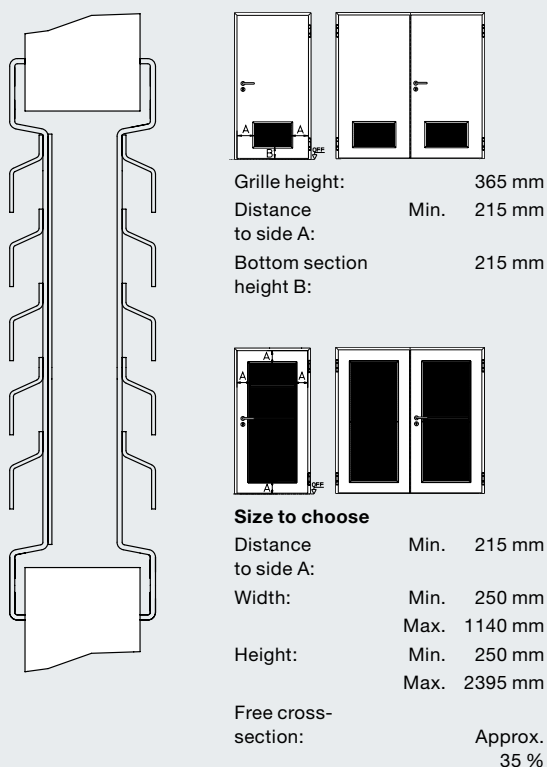
### Fixed top parts in steel and stainless steel

The fixed top parts allow you to individually design room-high doors for your building. They offer a harmonious look thanks to the surrounding vertical frame profiles.



### Ventilation grilles in steel and stainless steel

All ventilation grilles consist of safety sheet metal with an internal perforated steel sheet. They are supplied galvanized and with powder-coated primer in Grey white (similar to RAL 9002) or, on request, in RAL to choose or stainless steel (V2 A). Also optionally available are versions with insect protection fabric, galvanized steel with a mesh size of 1.4 mm.



### Overview of fixed top parts

	STS / STU	STS 30 / STU 30
Steel panel	●	●
Ventilation grilles	●	-

### Sizes

Min. top part height	300
Max. top part height	1000
Max. door set height	3300
Max. door height	2800

No operator possible with fixed top parts.

### Overview of ventilation grilles

	STS / STU
Standard	●
Size to choose*	●

### Standard sizes

Overall frame dimension	Door leaf width	
	Standard	min.
314 × 374	750	655
439 × 374	875	780
564 × 374	1000	905
627 × 374	1062,5	967,5
689 × 374	1125	1030
814 × 374	1250	1155

\* Please note the maximum size of the ventilation grille.

# Inspection hatches

In a flush-fitting and thick rebate version



Inspection hatch in thick rebate version with lever handle set and flush wall fitting



Inspection hatch in flush-fitting version without lever handle set and flush wall fitting

## Inspection hatches

- For electric distributors
- For conduits
- For air conditioning

## Versions

- T90 fire hatch
- T30 fire hatch
- Multi-purpose hatch
- Flush-fitting or thick rebate version
- Made to measure

## Fitting

- For all wall types
- Flush wall fitting (optional)

## Equipment

- FS round lever handle set and round rose escutcheon
- Without lever handle set, only cylinder rose escutcheon visible (optional)
- 3-way adjustable guide rollers
- Overhead door closer on opposite hinge side for concealed fitting (optional)

## Colours / surface finishes

- Galvanized
- Galvanized and with powder-coated primer in Grey white RAL 9002
- RAL to choose and NCS special colours
- Stainless steel

# Hörmann door operator HDO 200

Perfectly matched system – door and operator from a single source

*25 % less expensive than similar operators*



HDO 200 with protection sensor Flatscan

Hörmann automatic hinged doors with operator HDO 200 are universally applicable. Thanks to their quiet operation, they are particularly suitable for hospitals and offices. In addition, the automatic doors feature convenient opening, allowing for barrier-free passage. Speed control ensures a uniform opening and closing speed. An integrated programme switch allows for customised settings. You can conveniently operate the automatic door via a button, radar / movement detector or operating elements with BiSecur radio technology.

## Door and operator from a single source

The door and operator are supplied as a perfectly matching all-in-one system, including the necessary fixing material, from a single source. This simplifies and accelerates door fitting and commissioning.

### HDO 200

<b>Width</b>	650 mm
<b>Height</b>	70 mm
<b>Depth</b>	121 mm
<b>Weight</b>	9 kg
<hr/>	
<b>Door width</b>	750 – 1400 mm
<b>Door height</b>	Up to 2500 mm
<b>Door weight</b>	Up to 200 kg

### At a glance:

- Convenient opening for barrier-free passage
- Quiet operation, therefore suitable for various applications, e.g. in offices or hospitals
- Speed control ensures a uniform opening and closing speed
- Operating modes: “automatic”, “permanently open”, “night”, “closing time”
- Integrated programme switch for “off”, “automatic” and “permanently open”
- Operation via buttons, radar / motion detector, etc.
- Optionally with BiSecur radio technology that can be operated via all Hörmann hand transmitters, radio control elements, radio internal push buttons or the BiSecur app

# Protection sensor Flatscan and door lock operator SmartKey



## Protection sensor Flatscan for automatic hinged doors

The protection sensor Flatscan is used to secure the main and secondary closing edge of automatic hinged doors. 170 measuring points and laser technology (light travel time measurement) ensure permanently reliable locking. The sensor has compact dimensions of 143 × 85 mm and can therefore be easily fitted.



## Door lock operator SmartKey

Hörmann gives you the opportunity to open door locks at a press of a button with your hand transmitter, radio internal push button, the BiSecur app on your smartphone\* or directly via the sensor field on the SmartKey. Locking takes place either by pressing a button or automatically after a specified period of time.

This means that the door lock offers safe and reliable locking and protection against unauthorised access. The acoustic / visual feedback on the operator indicates if the door lock was locked / unlocked or opened and thus offers safe control. Furthermore, it is possible to use the optional hand transmitter HS 5 BS or radio internal push button FIT 5 to query whether the door is locked or unlocked. The radio can be deactivated in standby mode.

You can fit the operator flexibly by clamping, gluing or screwing it to the inside of the door, thus making it perfect for retrofitting. This prevents damage to the door or frame. A separate power cable is not required thanks to wireless installation with battery operation (lifecycle approx. 1 year for 8 cycles per day).

# Overhead door closer

The right solution for any requirement



Overhead door closer HDC 35

With compensator function, smoke sensor control or electromechanical hold-open device – Hörmann offers the right overhead door closer with the corresponding equipment for any door situation. The products convince not only in terms of quality and comfort, but also design, e.g. with the flush look of the slide rail and closing mechanism in many versions.

Overhead door closer	HDC 35	TS 4000	TS 83	TS 5000	EC-Line	ILSM	E	E-FS	R	R-FS	E-ISM	R-ISM
Linkage door closer		●	●									
Slide rail door closer	●			●	●	●	●	●	●	●	●	●
Integrated door closer												
With restrained opening		●		●								
With compensator function								●		●		
With optimum passage convenience (Barrier-free acc. to DIN 18010 / DIN SPEC 1104)					●							
With integrated door leaf selector for double-leaf doors						●					●	●
With electromechanical hold-open device							●				●	
With electromagnetic hold-open device									●			●
With smoke sensor control									●	●		●





Overhead door closer TS 4000



Overhead door closer TS 5000



Overhead door closer TS 83



Overhead door closer TS 93 / TS 99



Integrated overhead door closer ITS 96

TS 93	GSR	EMF / EMR	GSR EMF2	GSR EMR2	TS 99 FL	FLR	ITS 96	GSR	EML	FL
●	●	●	●	●	●	●				
							●	●	●	●
●										
					●	●				●
	●		●	●	●	●		●		
		●	●	●	●	●			●	
		●		●		●				

# Lever handle sets

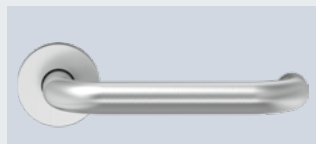
Tailored to your individual wishes



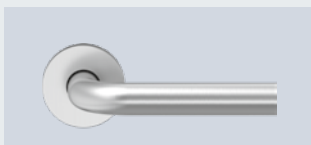
Flush-fitting designer FS lever handle set D-810



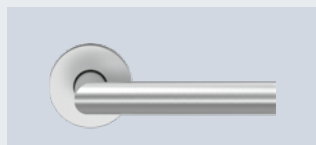
FS lever handle set D-110



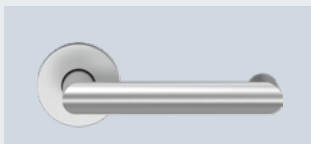
FS lever handle set D-190



FS lever handle set D-210



FS lever handle set D-310



FS lever handle set D-330



FS lever handle set D-410



FS lever handle set D-490



FS lever handle set D-510

As standard, Hörmann steel and stainless steel doors come with a black plastic handle with round rose escutcheon and are prepared for a profile cylinder. Object lever handle sets made of aluminium or stainless steel are also optionally available.

## **Design FS lever handle set D-810 / D-830**

With ball bearing made of stainless steel  
Version in design D-810, D-830 with anti-panic  
DIN EN 179 and further design types

## **FS lever handle set D-110 suitable acc. to EN 179**

With sliding bearing made of aluminium or stainless steel  
With ball bearing made of stainless steel

## **FS lever handle set D-190 (XXL lever handle) suitable acc. to DIN 18040**

With sliding bearing made of stainless steel

## **FS lever handle set D-210**

With sliding bearing made of aluminium or stainless steel

## **FS lever handle set D-310**

With sliding bearing made of aluminium or stainless steel  
With ball bearing made of stainless steel

## **FS lever handle set D-330 suitable acc. to EN 179**

With sliding bearing made of aluminium or stainless steel  
With ball bearing made of stainless steel

## **FS lever handle set D-410 suitable acc. to EN 179**

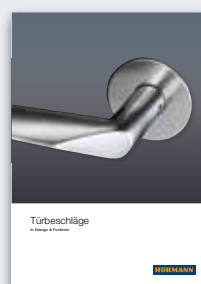
With sliding bearing made of aluminium or stainless steel  
With ball bearing made of stainless steel

## **FS lever handle set D-490 (XXL lever handle) suitable acc. to DIN 18040**

With ball bearing made of stainless steel

## **FS lever handle set D-510 suitable acc. to EN 179**

With sliding bearing made of aluminium or stainless steel  
With ball bearing made of stainless steel



For further information and versions, see the brochure "Door fittings".

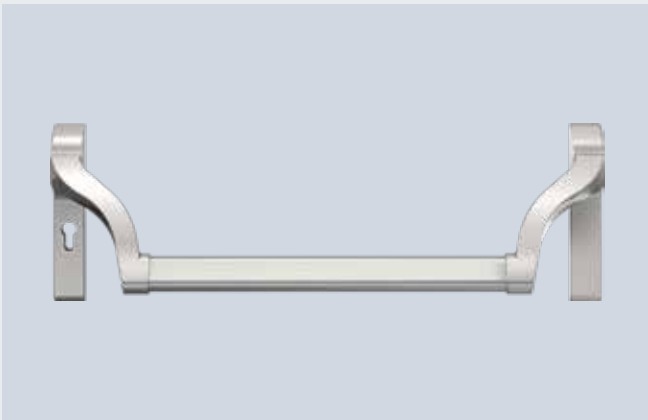
# Sports hall recessed handle / anti-panic locks / door stops

For complete door equipment



## Sports hall recessed handle according to EN 179

- As standard in stainless steel
- Only minimally protruding fittings
- Emergency exit lock acc. to DIN EN 179
- Approved for escape routes
- Optionally available as a flush-fitting version (not approved for escape routes)



## Hörmann push bar

- Largely offset lever arms for use in electronic locking cylinders and for short distances between PC
- Very stable bar handle
- Surface finish: stainless steel, coated in silver aluminium F1, coated black / red (based on EPN 900 IV Alu)
- Tested in accordance with EN 1125, EN 1634, EN 1191



## Hörmann push bar

- Can be used as a locking system acc. to EN 1125
- Surface finishes: stainless steel, aluminium F1, coated
- Tested in accordance with EN 1125, EN 1634



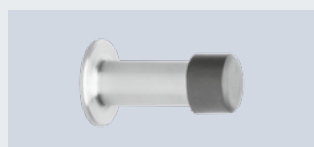
Door stop BS 55



Door stop BS 45



Door stop WS 46



Door stop WS 76

## Floor door stop BS

Stainless steel

## Wall door stop WS

Stainless steel

# Hold-open device control

Convenient opening during daytime operation  
and secure closing in case of fire



1

## FSA-Basis hold-open device control 1

The control combines power supply, warning signals, fire detector evaluation, manual release button and reset device in a compact housing. In addition, status and alarm states are indicated via LED lights. Furthermore, fire detectors, magnets and fire alarm systems can be easily connected.



2

## Visual fire detector H-RM-4070 2

The visual smoke detector works according to the familiar scattered light principle and thus detects the smoke emissions of many different fires. The sensor compartment contains a visual sensor capable of measuring both reflected and normal scattered light. Algorithms make alarm activation of the detector very reliable.



3

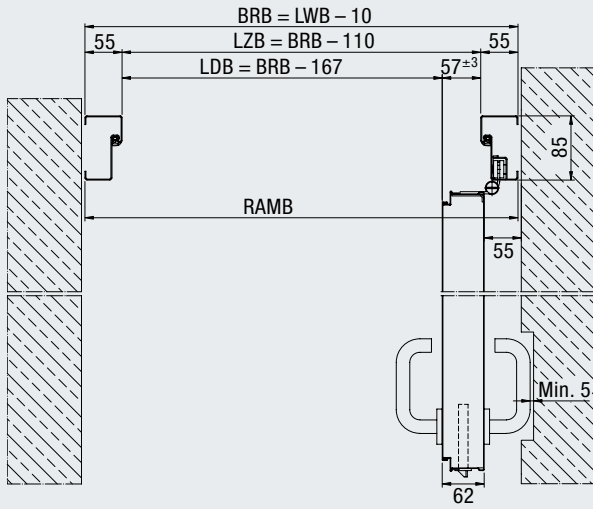
## Thermal detector H-TM-4070 3

The heat detector has an open housing that allows the ambient air to circulate freely around the thermistor. The air temperature is measured every 2 seconds. A microprocessor stores the temperature measurement data and compares it to the preset limits to determine if a preset maximum value – the alarm threshold – has been reached.

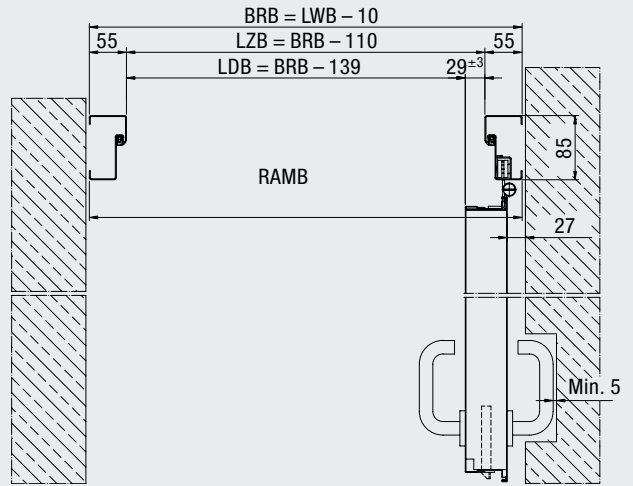
# Clear passage widths

At an opening angle of 90°, without fittings

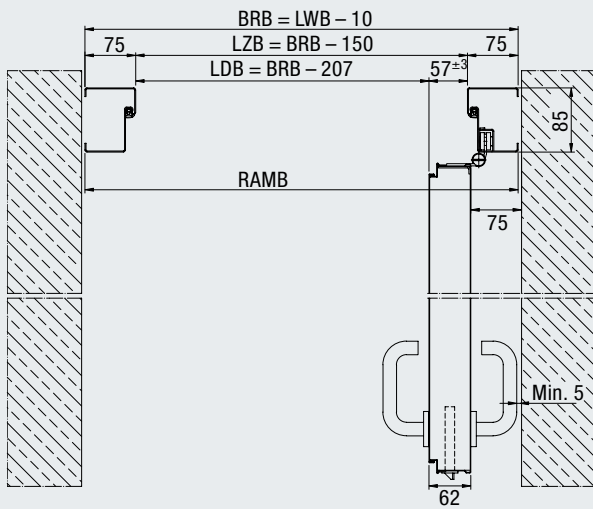
**Block frame 85 / 55 (STS)**



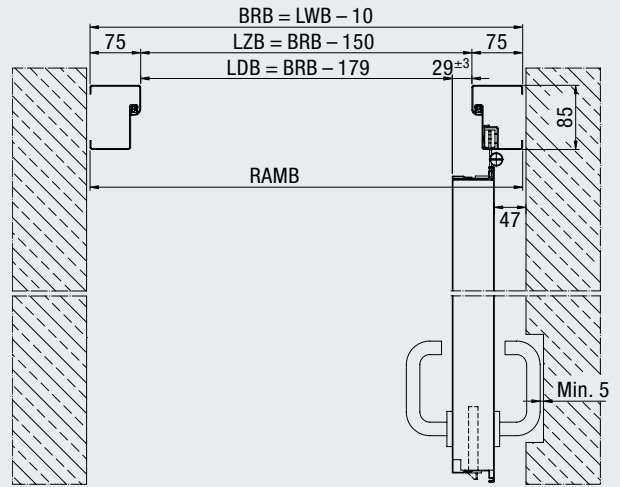
**Block frame 85 / 55 (STU)**



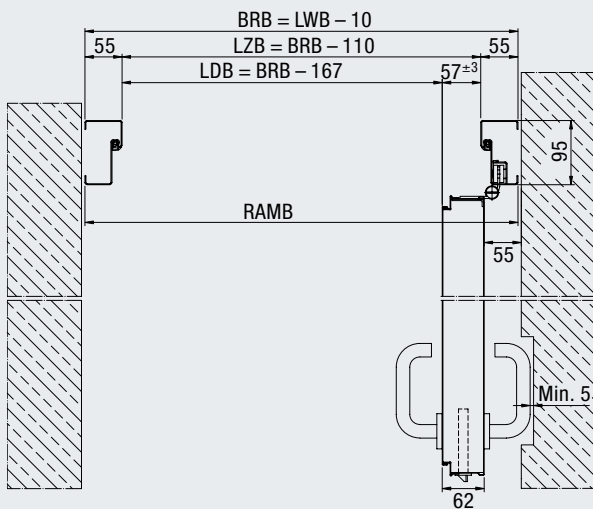
**Block frame 85 / 75 (STS)**



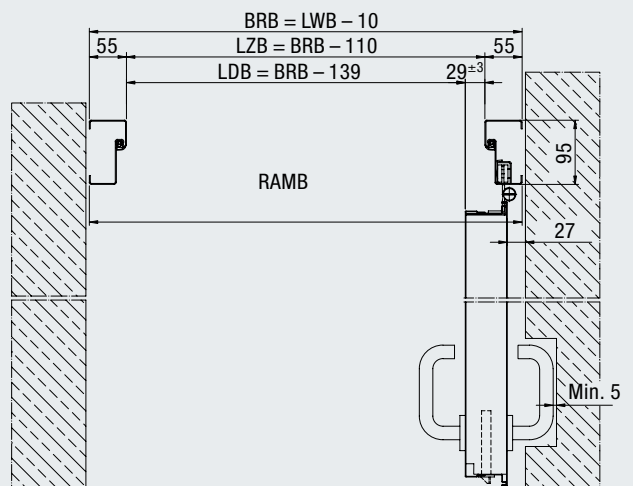
**Block frame 85 / 75 (STU)**



**Block frame 95 / 55 (STS)**



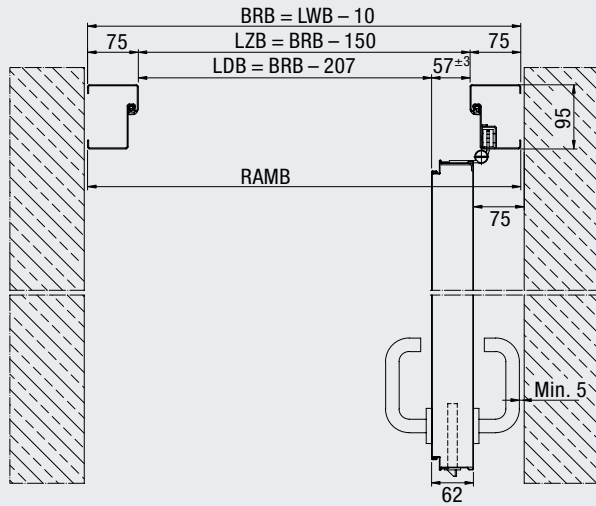
**Block frame 95 / 55 (STU)**



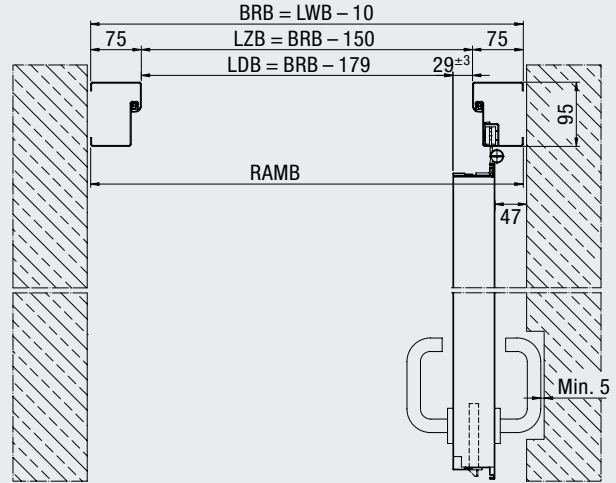
# Clear passage widths

At an opening angle of 90°, without fittings

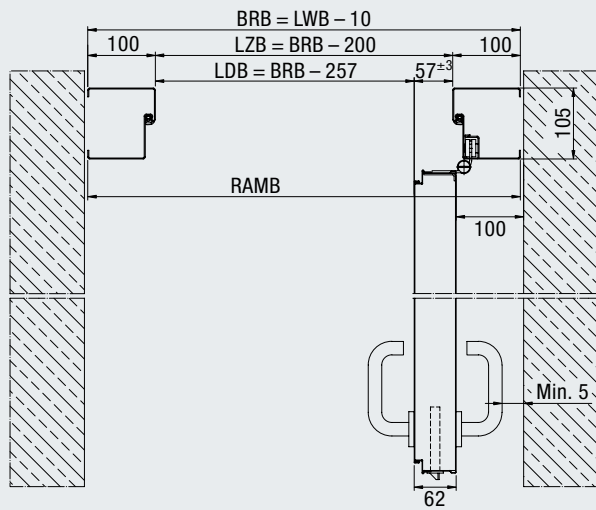
## Block frame 95 / 75 (STS)



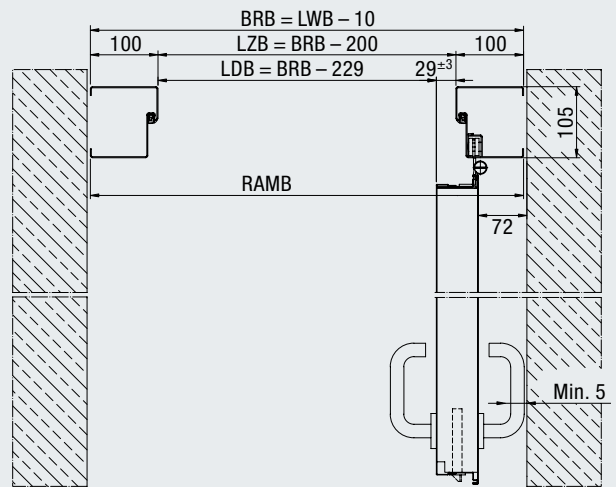
## Block frame 95 / 75 (STU)



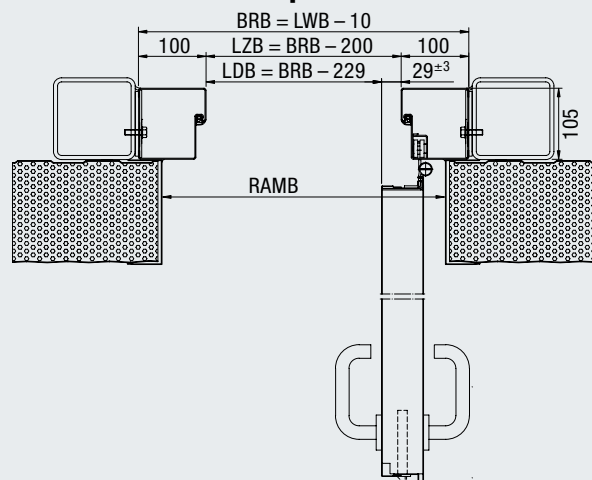
## Block frame 105 / 100 (STS)



## Block frame 105 / 100 (STU)



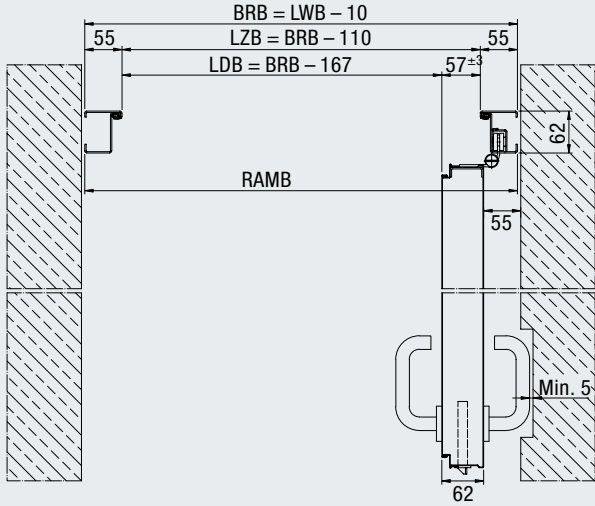
## Block frame 105 / 100 (STU) hall construction panel wall



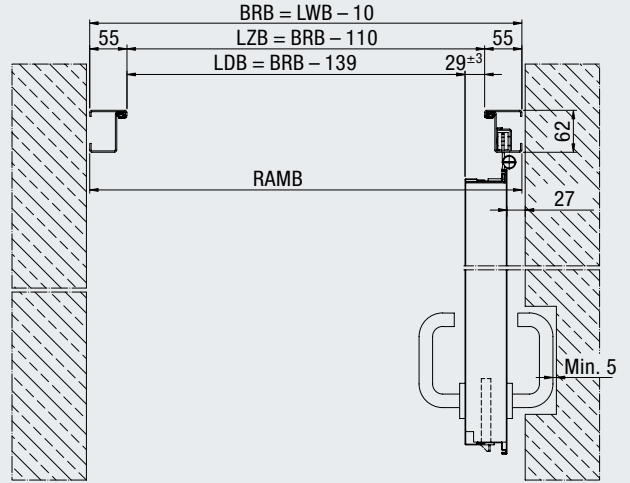
# Clear passage widths

At an opening angle of 90°, without fittings

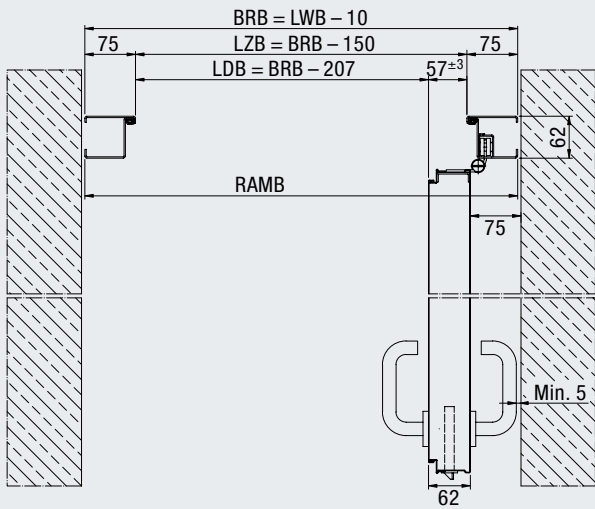
**Block frame 62 / 55 (STS)**



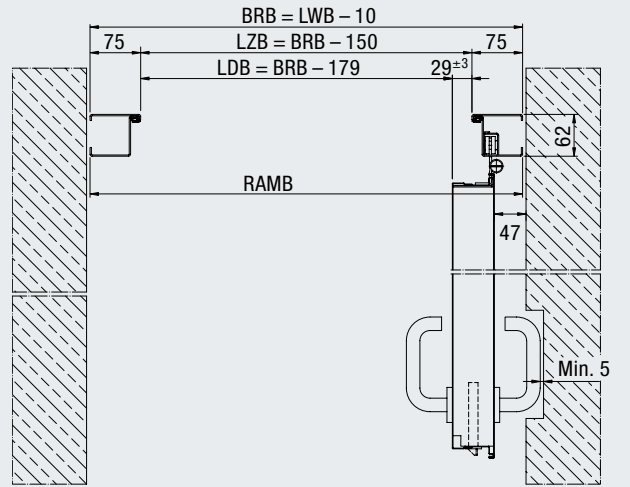
**Block frame 62 / 55 (STU)**



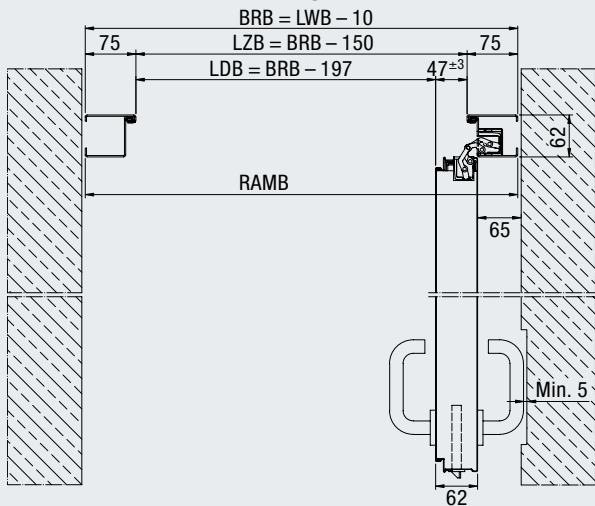
**Block frame 62 / 75 (STS)**



**Block frame 62 / 75 (STU)**



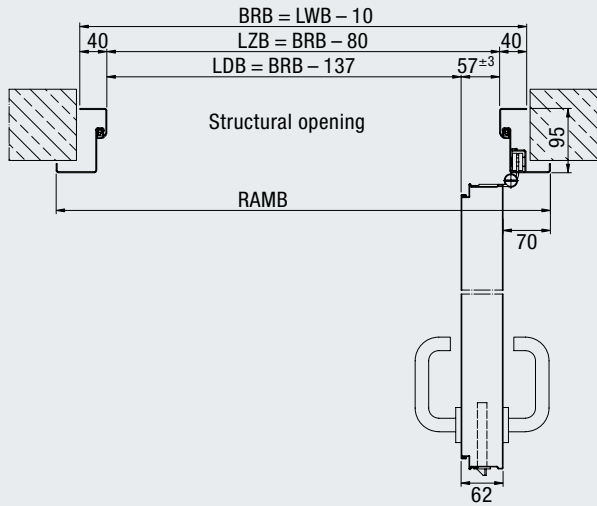
**Block frame 62 / 75 (STS)  
with concealed hinge**



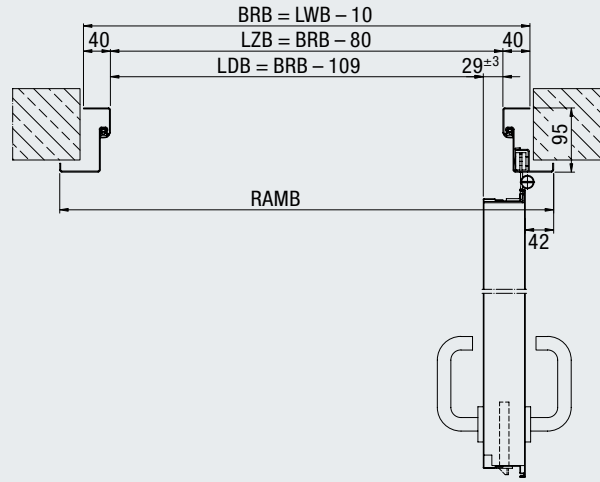
# Clear passage widths

At an opening angle of 90°, without fittings

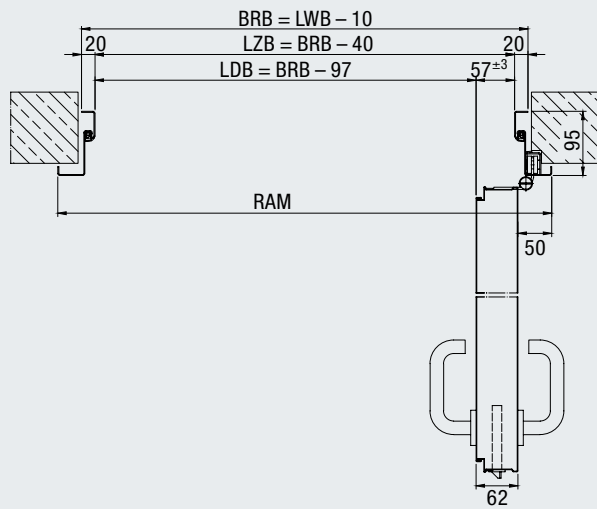
### Standard corner frame 40 (STS)



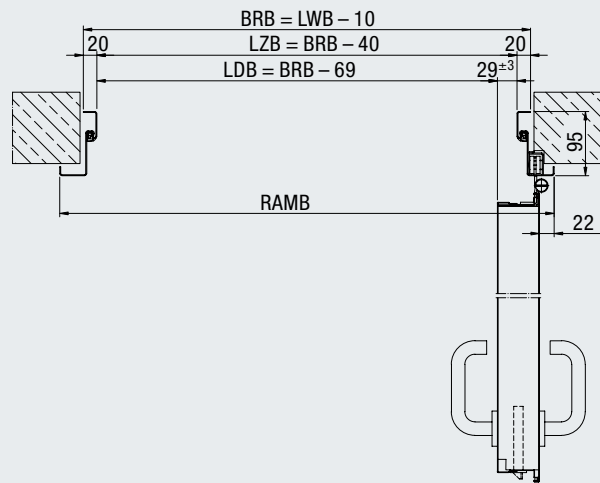
### Standard corner frame 40 (STU)



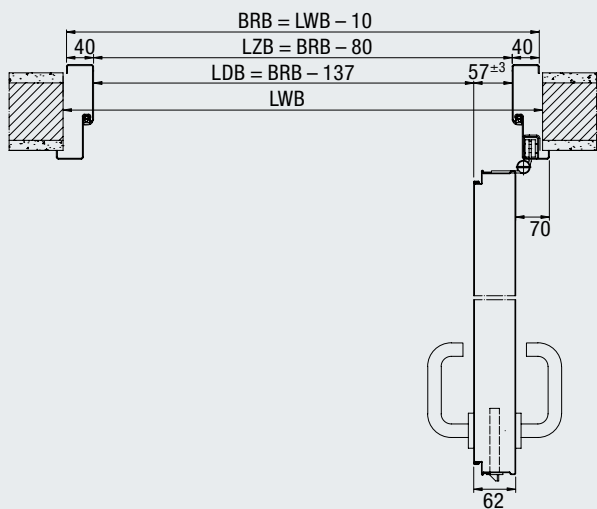
### Custom corner frame 20 (STS)



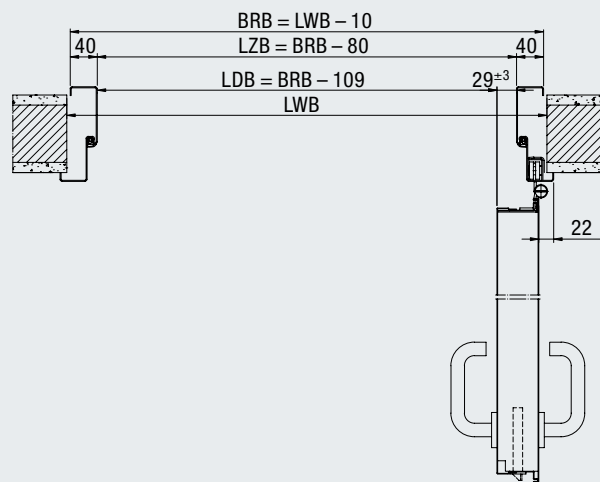
### Custom corner frame 20 (STU)



### Profile frame (STS)



### Profile frame (STU)

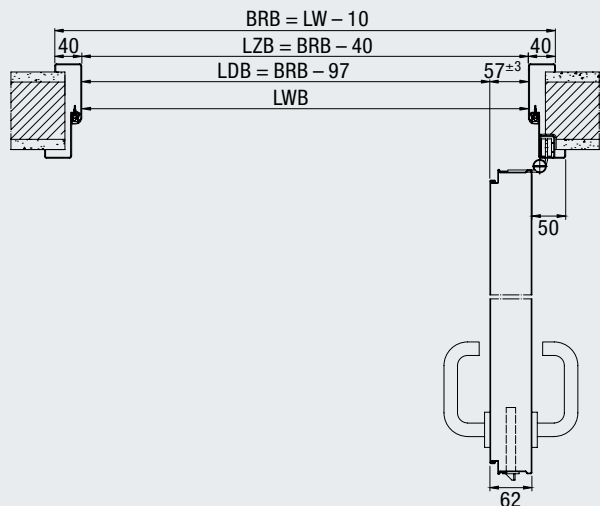




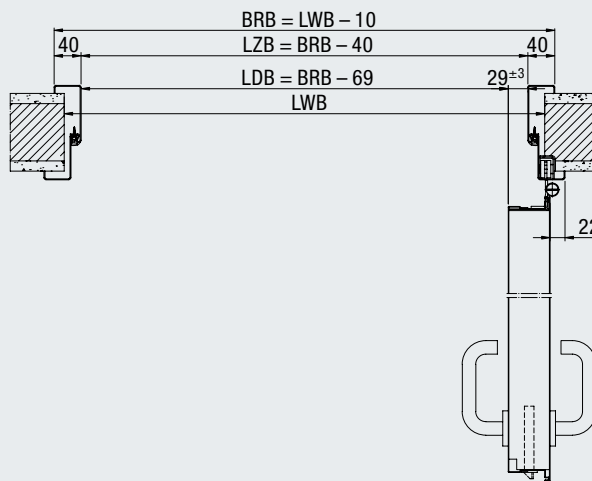
# Clear passage widths

At an opening angle of 90°, without fittings

## 2-part profile frame (STS)

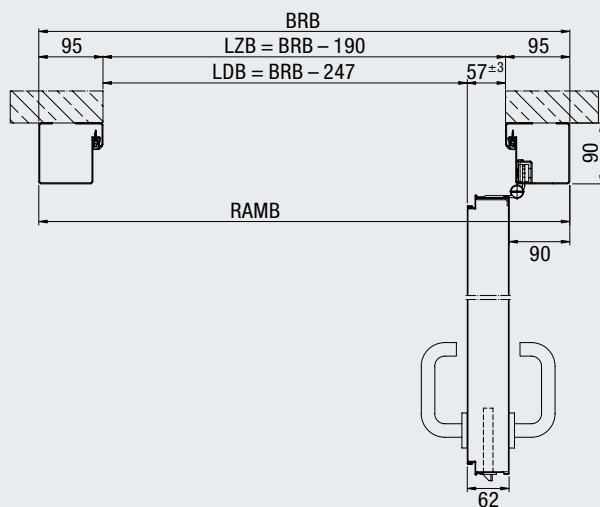


## 2-part profile frame (STU)



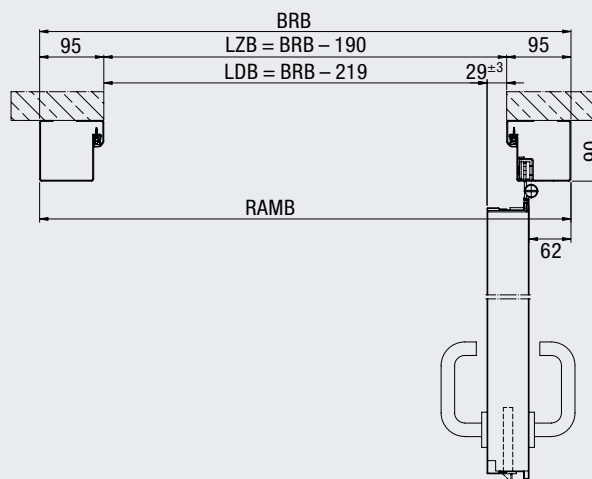
## Add-on frame (STS)

(only for MZ doors)



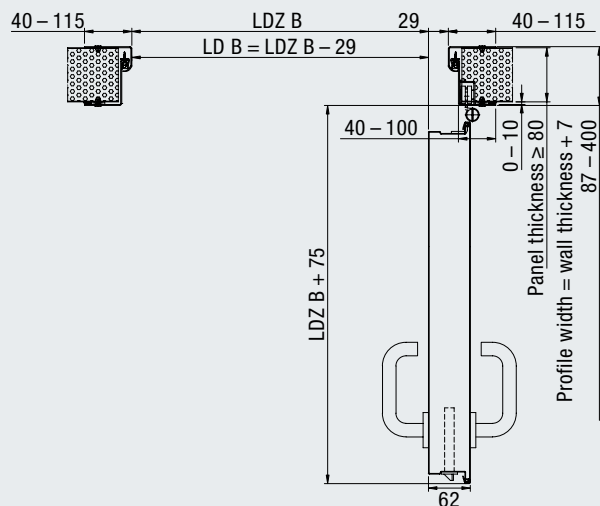
## Add-on frame (STU)

(only for MZ doors)

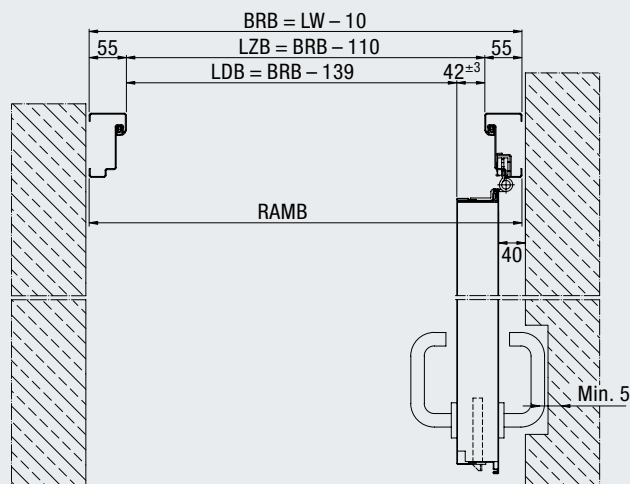


## Panel wall frame STS / STU

(only for MZ doors)



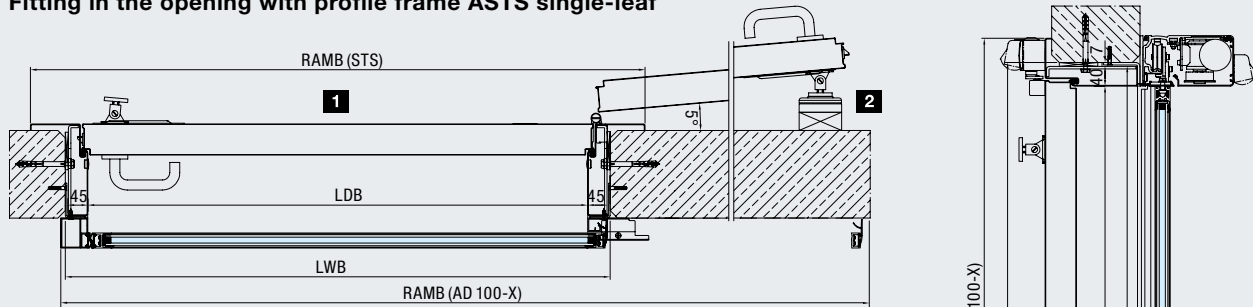
## Double rebate frame (STU)



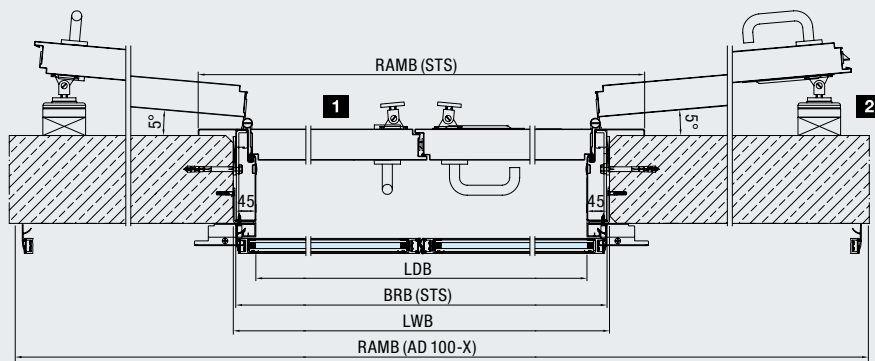
# Clear passage widths

For escape route sliding door system combination with steel / stainless steel fire-rated doors ASTS / FR

## Fitting in the opening with profile frame ASTS single-leaf

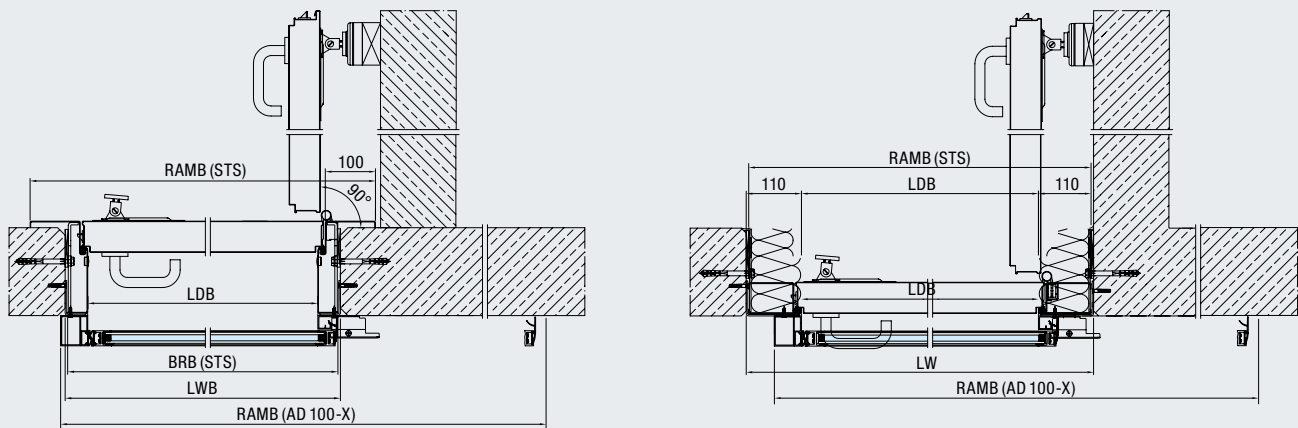


## Double-leaf

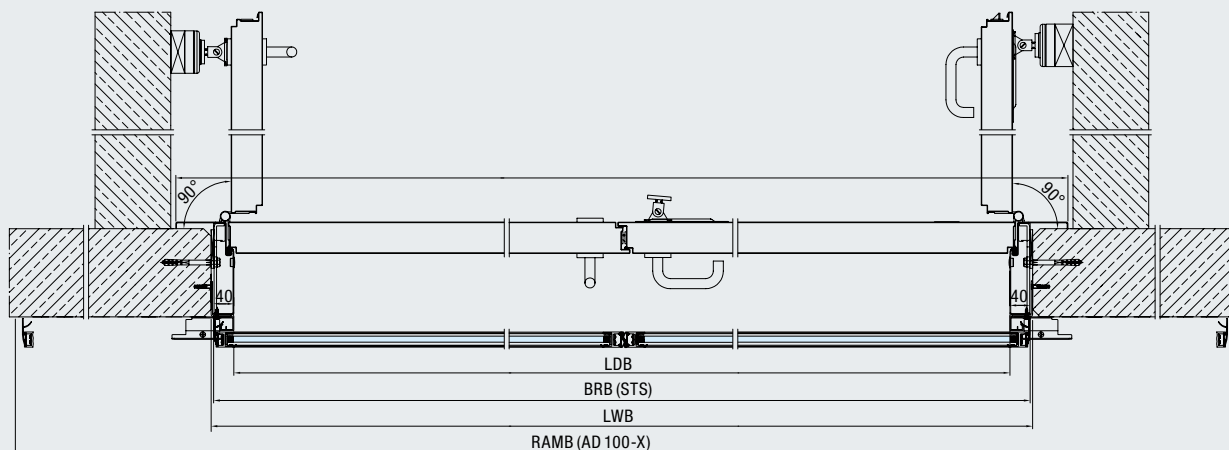


- 1** Closed door leaf (night operation)      **2** Open door leaf (daytime operation)

## Fitting for 90° opening angle with block frame ASTS single-leaf



## Double-leaf



# Hörmann Product Range

Everything from a single source for your construction project



**Quick service with testing, maintenance and repairs**  
 Our extensive service network means that we are always nearby and at your service around the clock.



**1** Sectional doors



**2** Rolling shutters and rolling grilles



**3** High-speed doors



**4** Loading technology



**5** Steel and stainless steel sliding doors



**6** Steel and stainless steel construction project doors



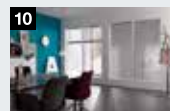
**7** Steel frames with high-quality timber function doors from Schörghuber



**8** Tubular frame construction project doors



**9** Automatic sliding doors



**10** Visibility window



**11** Collective garage doors



**12** Bollards and road blockers



**13** Barrier and pay station systems

# Hörmann: Quality without Compromise



Hörmann KG Amshausen, Germany



Hörmann KG Antriebstechnik, Germany



Hörmann KG Brandis, Germany



Hörmann KG Brockhagen, Germany



Hörmann KG Dissen, Germany



Hörmann KG Eckelhausen, Germany



Hörmann KG Freisen, Germany



Hörmann KG Ichttershausen, Germany



Hörmann KG Werne, Germany



Hörmann Alkmaar B.V., Netherlands



Hörmann Legnica Sp. z o.o., Poland



Hörmann Beijing, China



Hörmann Tianjin, China



Hörmann LLC, Montgomery IL, USA



Hörmann Flexon LLC, Burgettstown PA, USA



Shakti Hörmann Pvt. Ltd., India

Hörmann is the only manufacturer worldwide that offers you a complete range of all major building products from one source. We manufacture in highly-specialised factories using the latest production technologies. The close-meshed network of sales and service companies throughout Europe, and activities in the USA and Asia, make Hörmann your strong partner for first-class building products, offering “Quality without Compromise”.

**GARAGE DOORS**  
**OPERATORS**  
**INDUSTRIAL DOORS**  
**LOADING EQUIPMENT**  
**HINGED DOORS**  
**DOOR FRAMES**