



HDE ENTRANCE DOORS

Give your home the final touch of elegance

HÖRMANN





04

Good reasons
to try Hörmann
entrance doors.



08

Door styles.
Inspirations.



16

Design.
Equipment.
Accessories.

Responsibility for generations

The Hörmann family business has over 85 years of experience as a construction component specialist. This gives us an obligation to both current and future generations. That's why environmental responsibility plays such an important role for us. With this in mind, we develop innovative solutions for sustainable products and intelligent environmental protection.



“A GOOD REPUTATION MUST BE EARNED.”

August Hörmann

In keeping with the tradition started by the company’s founder, the Hörmann brand is a true promise of quality and, with sales of over 20 million doors and operators, is one of Europe’s most successful suppliers. Due to the comprehensive international sales and service network, Hörmann is your strong partner for high-quality construction components.



WE THINK AND ACT GREEN. As a family business, we are very conscious of our responsibility to future generations and offer all products for residential construction CO₂-neutral as standard. The Hörmann sustainability strategy aims to reduce and avoid emissions. We cover 100% of our electrical power needs at all European production sites with genuine green electricity from renewable sources. We also apply many other measures to reduce our consumption and save more than 75000 tonnes of CO₂ each year. We work with ClimatePartner to offset the remaining emissions by supporting certified climate protection projects.



You can find further information at
www.hoermann.com/sustainability



ClimatePartner
certified product
climate-id.com/XNEBK



CO₂
measure
reduce
contribute

Brand quality made in Germany



The family-owned company Hörmann offers all important construction components for building and renovating projects from a single source. We manufacture in highly specialised factories using state-of-the-art production technologies. Our employees work intensively on new products, continual further developments and improvements to details. The results are patents and unique products on the market.



DOOR DESIGN FOR THE HIGHEST DEMANDS. Greet your guests with a Hörmann entrance door! And of course, you and your family can also delight in the sophisticated design of our doors day after day. Our doors are a true eye-catcher on the outside, and inside they harmonise perfectly with your residential internal doors. Simply beautiful!

DOOR LEAF WITHOUT VISIBLE LEAF PROFILE. HDE doors make for an exquisite and elegant reception – whether you use them for your main or a side entrance. The stylish door leaf with its solid interior and exterior fulfils the highest design requirements. The interior view harmonises perfectly with your residential internal doors.



PAGE 2 / 3. Entrance door
HDE style 300, stainless steel
handle set CHW2, Grey aluminium
in matte finish, RAL 9007, optional
side elements

RIGHT. Interior view of
HDE style 100 with vision panel
in anthracite metallic HD 703 in
matte fine structure and black
edition hardware set HHW 4

ENTRANCE DOORS TAILORED TO YOUR SPECIFICATIONS.

Whether you want a new entrance door or a door for you side entrance:
The Hörmann range is designed to meet your needs. We offer you doors
tailored to your exact wishes. Whether with an elegant look or vision
panels – anything is possible, exactly the way you want it.

Be inspired by the Hörmann variety on the following pages.





TOP. Entrance door HDE style 100 with offset vision panel, stainless steel handle set HHW1, White aluminium in matte finish, RAL 9006

BOTTOM LEFT. Entrance door HDE style 100, stainless steel handle set CHW1, Sahara brown in matte fine structure, HD 2901

BOTTOM RIGHT. Entrance door HDE style 100 with vision panel, stainless steel handle set HHW1, Anthracite grey in matte fine structure, RAL 7016

DO YOU LIKE THE NATURAL AND CLASSIC DESIGN FOR YOUR ENTRANCE DOOR? Hörmann offers various timber designs which are extremely durable even for Middle East weather conditions*.

→ More information you will find on page 18.

* Entrance doors made of steel with powder-coated timber design.
Not possible in combination with side element and transom light





TOP. Entrance door HDE style 100, black edition handle set HHW4, Timber design finish

BOTTOM LEFT. Entrance door HDE style 100 with side elements, gold finish handle set CHW3, Traffic white in matte finish, RAL 9016

BOTTOM RIGHT. Entrance door HDE style 100 with offset vision panel, stainless steel handle set HHW3, Anthracite metallic in matte fine structure, HD 703



CUSTOM ENTRANCES. Create stylish, attractive entrances and fill your home with more light. Each door style shown can be combined with side elements and transom lights. Special door versions are also possible, such as doors opening outwards. At Hörmann, you are sure to find the entrance door to suit your home.



TOP. Entrance door HDE style 100 with vision panel, black edition handle set HHW4, Grey aluminium in matte finish, RAL 9006

LEFT. Entrance door HDE style 100 with side elements, bronze finish handle set CHW4, Anthracite grey in matte fine structure, RAL 7016



PERSONAL DESIGN. You can custom-equip each of the entrance door styles. We offer all the options you need to give your entrance door a personal touch. When choosing a colour for your new Hörmann entrance door, we let your creativity run wild. Your options include soft matte colours, elegant matte fine structure colours or authentic, natural timber design.



16



19



20



Design. Equipment. Accessories.

- 16** Door specifications, styles, optional extras
- 18** Standard Colors, Timber Design Finishes
- 19** Frames and glazings
- 20** Hardware sets
- 22** Handing

Door specifications

The right profile for any requirement

Door leaf	
Construction	Hollow metal door with lock seam joints at stile edges Interlocking arrangement at the stile edges for flat surface on both sides
Material	Galvanized Z120 steel sheets
Door leaf thickness	47 mm
Steel sheet thickness	1.2 mm
Leaf infill	Steel stiffened mineral wool core
Undercut	9 mm
Threshold	Aluminium 14 mm high, 79 mm wide threshold plate seal powder-coated in door color (for timber design in aluminium finish)
Frame (100 mm jamb depth)	
Construction	Three piece knock down butted assembly
Steel sheet thickness	1.5 mm
Sealing system	Three-chamber EPDM kerf seals on each side of the frame
Dimension (Structural Opening)	
Maximum dimension - single leaf door	1400 mm (W) x 3000 mm (H) - Powder-coated doors 1300 mm (W) x 3000 mm (H) - Timber design doors
Maximum dimension - double leaf doors	2750 mm (W) x 3000 mm (H) - Powder-coated doors 2500 mm (W) x 3000 mm (H) - Timber design doors
Maximum dimension - side element	1000 mm (W) x 3000 mm (H)
Mechanical strength EN 1192	Up to class 3
Acoustic insulation	Up to 42 dB



Threshold (as standard)

Optional extras



Five-point lock (optional)



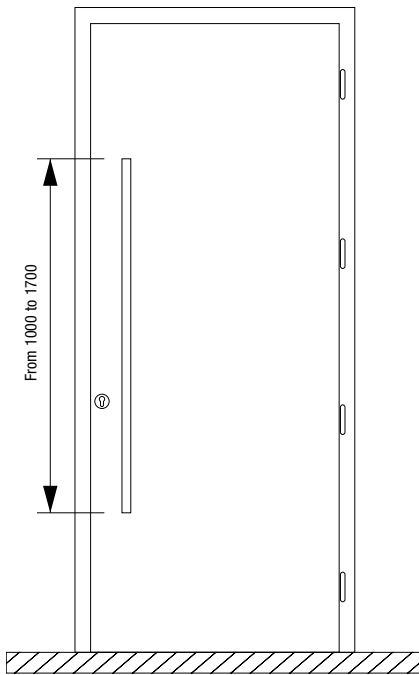
Concealed hinges (optional)



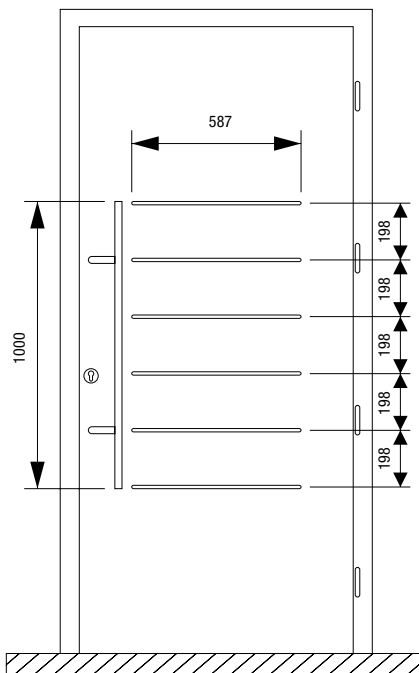
Door viewer (optional)

Door styles

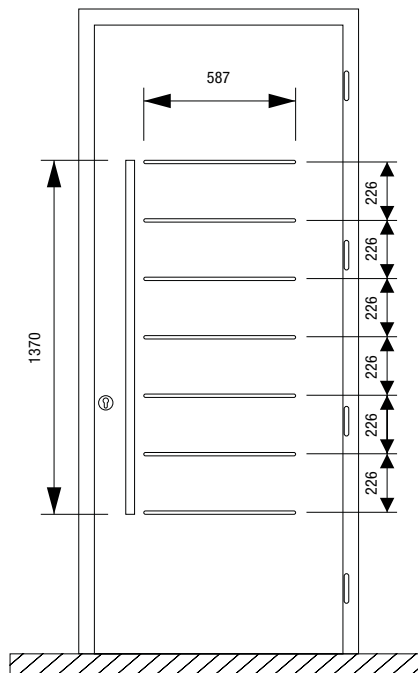
The right entrance door for any taste



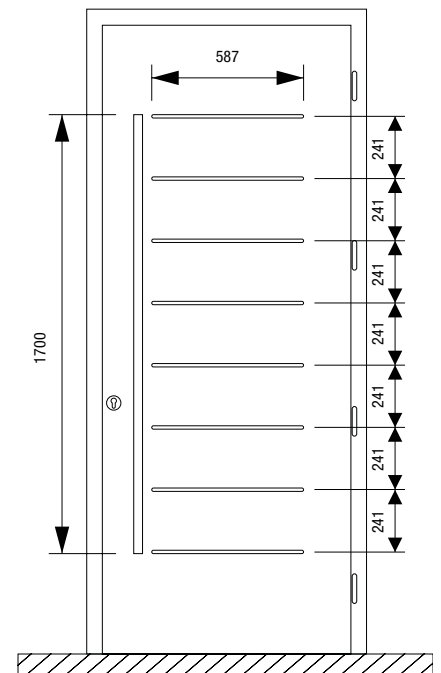
Style HDE 100



Style HDE 200



Style HDE 300



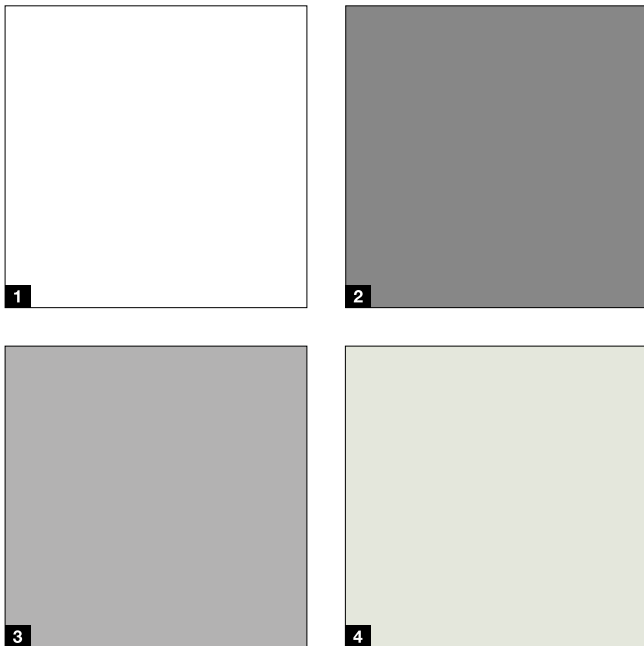
Style HDE 400

All dimensions in mm

Standard Colors

Timeless and elegant

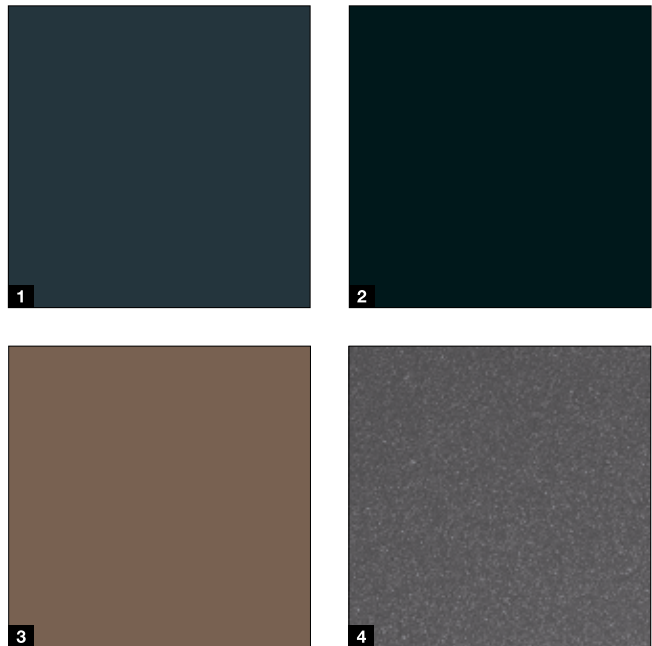
Color - matte finish



Color - matte finish

- 1 RAL 9016 Traffic White
- 2 RAL 9007 Grey aluminium
- 3 RAL 9006 White aluminium
- 4 RAL 9002 Grey white

Matte fine structure



Matte fine structure

- 1 RAL 7016 Anthracite Grey
- 2 RAL 9005 Jet Black
- 3 HD 2901 Sahara Brown
- 4 HD 703 Anthracite Metallic

Timber Design Finishes



The door leaves and frames are available with timber design finishes.

Please note:

All colours based on RAL. The colours and surface finishes shown are subject to the limitations of the printing process and cannot be regarded as binding. **Please consult with your local Hörmann specialised dealer.**

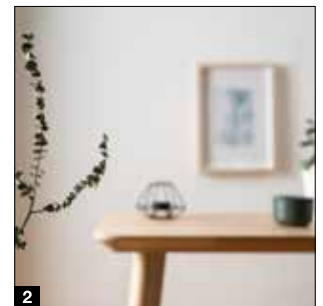
Glazing frame for doors



Glazing frames

- 1 Stainless steel glazing frame**
With virtually flush-fitting appearance on the inside and outside
- 2 Stainless steel glazing frame black.edition**
With elegant look in Jet black RAL 9005

Glazings for doors, side elements and transom lights



Glazings

- 1 Frosted**
- 2 Clear glass**

Hardware sets

A beautiful hardware accents the door

Hardware sets HHW



HHW1
(only for styles
HDE 100 / HDE 200)

HHW2
(only for styles
HDE 100 / HDE 200)

HHW3
(only for styles
HDE 100 / HDE 400)

HHW4
(only for styles
HDE 100 / HDE 200)

Hardware sets

A beautiful hardware accents the door

Hardware sets CHW



CHW1
(only for styles
HDE 100 / HDE 300)



CHW2
(only for styles
HDE 100 / HDE 300)



CHW3
(only for styles
HDE 100 / HDE 300)



CHW4
(only for styles
HDE 100 / HDE 300)

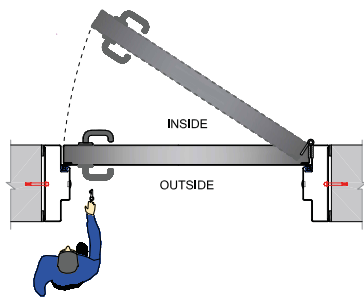


CHW5
(only for styles
HDE 100 / HDE 300)

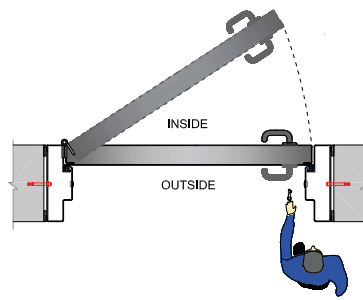
Steel Doors

Handing

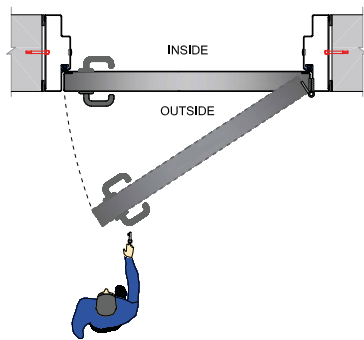
Single leaf door



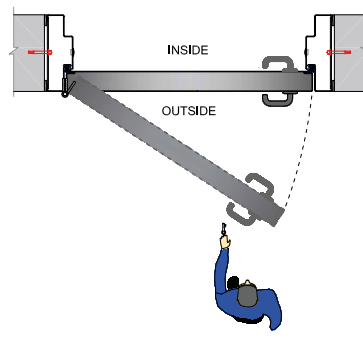
RIGHT HAND (RH)



LEFT HAND (LH)

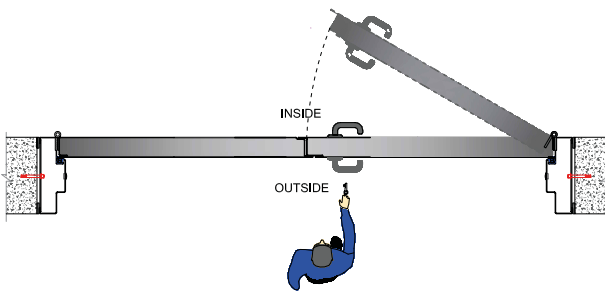


RIGHT HAND REVERSE (RHR)

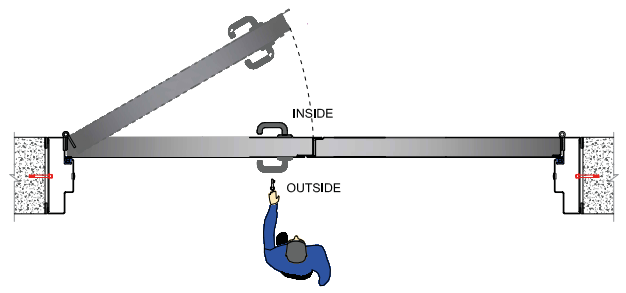


LEFT HAND REVERSE (LHR)

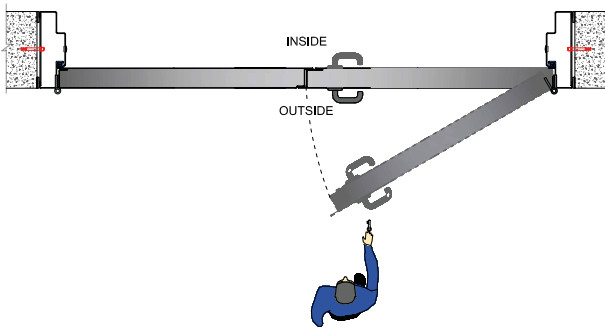
Double leaf door



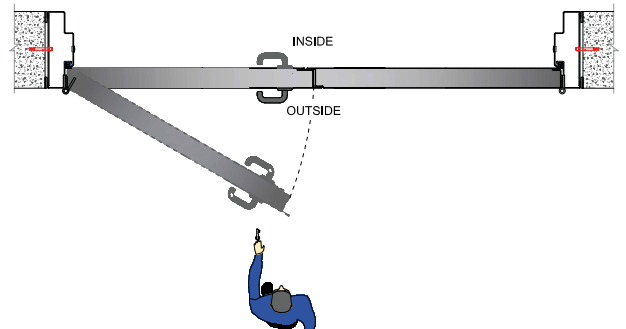
RIGHT HAND ACTIVE (RHA)



LEFT HAND ACTIVE (LHA)



RIGHT HAND REVERSE ACTIVE (RHRA)



LEFT HAND REVERSE ACTIVE (LHRA)

Experience Hörmann quality in new construction and modernisation

Hörmann products have impressive durability and high functionality. You can easily plan for new construction as well as modernisation. The carefully coordinated solutions make your home more beautiful, more secure and more comfortable.

**GARAGE DOORS. DOOR OPERATORS. ENTRANCE DOORS. RESIDENTIAL INTERNAL DOORS.
STEEL DOORS. FRAMES. STORAGE SPACE SYSTEMS.**



Some of the products shown are equipped with special equipment and do not always correspond to the standard versions. The surface finishes and colours shown are subject to the limitations of the printing process and cannot be regarded as binding. All rights reserved. No part may be reproduced without our prior permission. Subject to changes.

Hörmann Middle East and Africa FZE

Doors for Home and Industry

Phone +971 4 805 3600
Fax +971 4 880 7699
E-Mail info.dxb@hormann.com
Website www.hormann.ae

Street N406, Plot MO 0203, P. O. Box 262784
Dubai, Jebel Ali Free Zone North
United Arab Emirates

